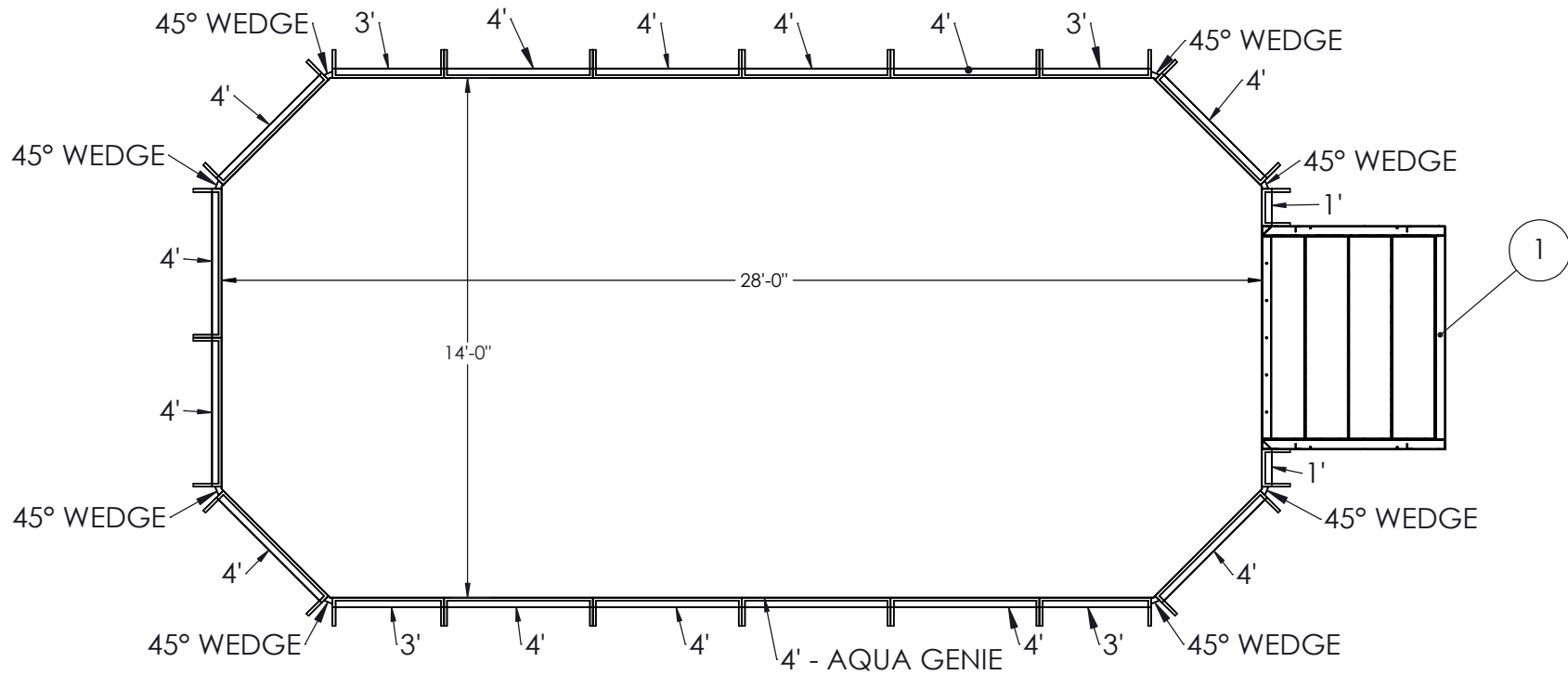


REVISION HISTORY				
REV	DESCRIPTION	DATE	ECO	BY
A	RELEASED FOR QUOTE	2/22/2022		RMILLER
B	ADDED RADIIUS CORNERS TO STEP	2/22/2022		RMILLER
C	UPDATED PER TICKET #240660	8/25/2022		JESSEX
D	UPDATED STEP PAGE WITH LATEST REVISION	8/29/2022		OPRIAJE
E	UPDATED PER TICKET #863719	8/31/2022		JESSEX
F	UPDATED PER TICKET #832591	12/16/2022		MROGERS
G	UPDATED PER TICKET #694423	12/19/2022		JESSEX
H	UPDATED PER TICKET #254134	12/21/2022		RMILLER



NOTES:

1. THESE ARE FINISHED DIMENSIONS READY FOR THE LINER.
2. DIMENSIONS ARE FROM INSIDE POOL PANELS.
3. ROPE AND FLOAT ASSEMBLY SHOULD BE INSTALLED IN ACCORDANCE WITH CURRENT ANSI/ASPS/ICC REGULATIONS
4. HYDRA LINER TRACK FOR STEPS IS INSTALLED WITH THE BARB FACING THE RISER WALL ON THE STEP.

EXCAVATION NOTES:

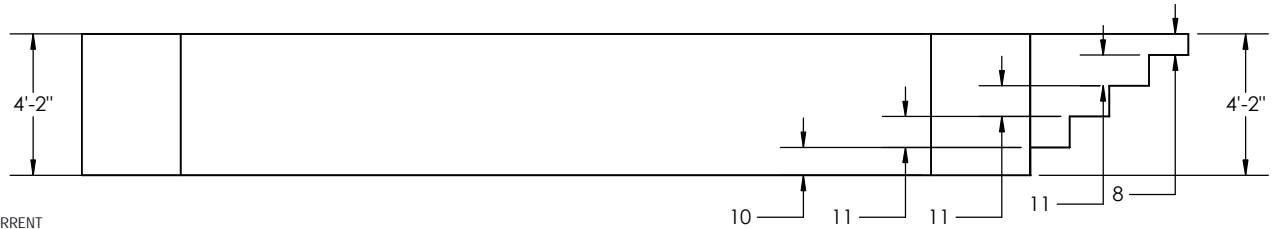
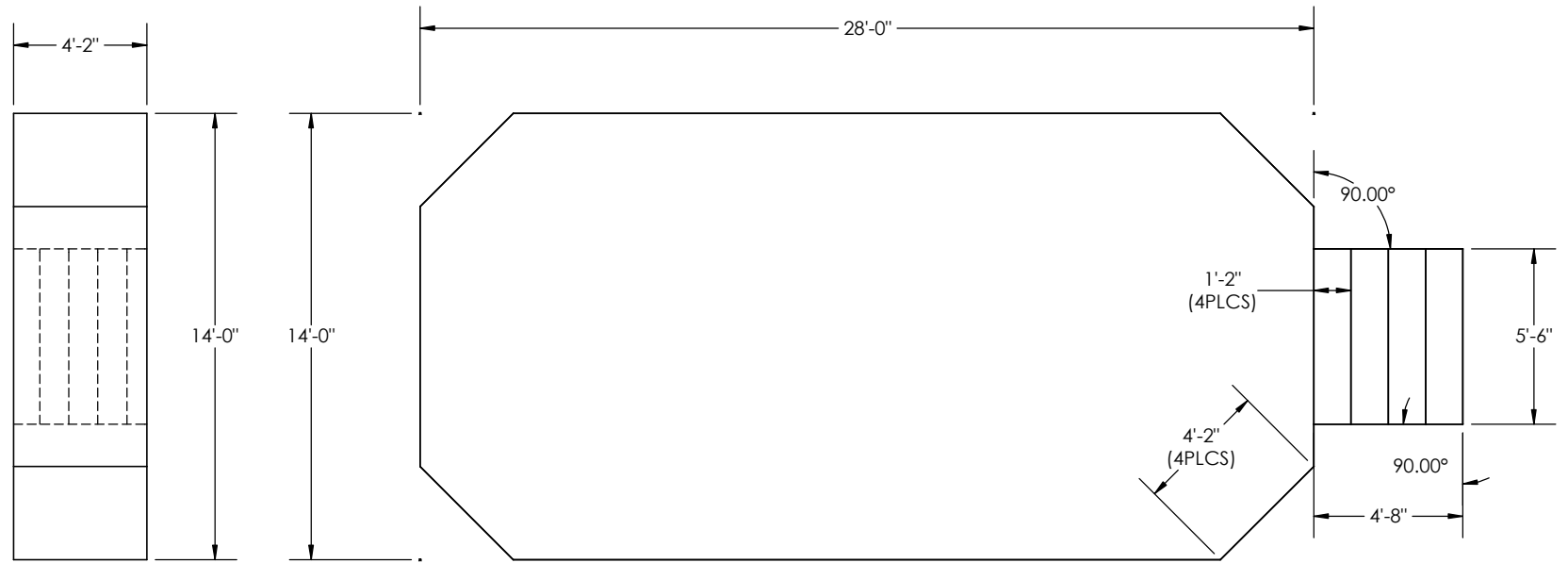
5. ROUGH EXCAVATION SHOULD BE 2" DEEPER IN EACH INSTANCE.
6. SOIL TO HAVE MINIMUM BEARING CAPACITY OF 1500 PSF.
7. LOCATE TOP OF POOL AT LEAST 6" ABOVE THE SURROUNDING LAND ELEVATION.
8. SEE "OVER DIG DETAIL", IN INSTALLATION MANUAL, FOR EXCAVATION AROUND POOL.
9. FILL VOIDS UNDER BASE OF PANELS AND TAMP WELL.
10. BACK FILL WITH NON-EXPANSIVE MATERIAL.
11. FOLLOW ALL CURRENT ANSI / APSP / ICC GUIDELINES FOR RESIDENTIAL POOLS

IMPORTANT NOTES:

THIS DOCUMENT IS FOR ILLUSTRATIVE PURPOSES ONLY. THE DEALER OR CONTRACTOR WHO SELLS OR INSTALLS YOUR POOL IS AN INDEPENDENT CONTRACTOR AND IS NOT AN AGENT OF THE MANUFACTURER. THE CONSTRUCTION METHODS ILLUSTRATED HERE ARE SUGGESTIONS AND APPLY ONLY TO NORMAL GROUND CONDITIONS. THERE MAY BE ADDITIONAL PRECAUTIONS AND/OR METHODS OF CONSTRUCTION. PROPER INSTALLATION IS THE RESPONSIBILITY OF THE DEALER/BUILDER/CONTRACTOR.

ITEM	FILE NAME	DESCRIPTION	CUSTOMER DRAWING #	VENDOR PART #	QTY.
1	00027996	ASSEMBLY, STEP, 52 IN WALL, 4 TREAD, 6" WIDE, 90° CORNER	HSSH27996		1
2	BOLT, PACK	BOLT, FLANGE, 3/8-16 X 1", PACK (50)	HPS1916	HPS1916	12
3	52IN, BRACE	BRACE, BUTTRESS, 52", 850 SERIES	HPSHTRIBRC	00025945	29
4	52IN PANEL, STRAIGHT	PANEL, 3' LONG, 850 SERIES	HPSH103P	00025940	4
5	52IN PANEL, STRAIGHT	PANEL, 4' LONG, 850 SERIES	HPSH104P	00025308	13
6	52IN PANEL, STRAIGHT	PANEL, 4' LONG, AQUA GENIE, 850 SERIES	HPSH104AG	00027234	1
7	52IN PANEL, STRAIGHT	PANEL, 1' LONG, 850 SERIES	HPSH101P	00027620	2
8	STAKE	STAKE, .14 GA	HPSSTAKE	00003484	29
9	52IN, GRECIAN WEDGE	WEDGE, 52IN GRECIAN	HPSH45	00028361	8

ENGINEERING DRAWING NUMBER: 00041343	WEIGHT: lbs	UNLESS OTHERWISE SPECIFIED DIMENSIONS ARE IN INCHES TOLERANCES DECIMALS: X ± .1 XX ± .01 XXX ± .001 XXXX ± .0005 ANGULAR: X ± 0.5 THIRD ANGLE PROJECTION	DESIGNED BY: RMILLER	CREATION DATE: 10/10/2019	SAMSON STEEL
	VOLUME: Inch ³		DETAILED BY: RMILLER	DETAILED DATE: 12/21/2022	
	COLOR:		LAST REVISED BY: Jessex	LAST REVISED DATE: 12/19/2022	
	HEAT TREAT:		MATERIAL:		
FINISH:					TITLE: LAYOUT, 14' X 28', GRECIAN, HSSF27996, 1- AQUA GENIE, 850 SERIES
TEXTURE:					PART NUMBER:
					00041343
					SCALE: 1:100 SHEET: 1 OF 3
					A



NOTES:


1. THESE ARE FINISHED DIMENSIONS READY FOR THE LINER.
2. DIMENSIONS ARE FROM INSIDE POOL PANELS.
3. ROPE AND FLOAT ASSEMBLY SHOULD BE INSTALLED IN ACCORDANCE WITH CURRENT ANSI/ASPS/ICC REGULATIONS
4. HYDRA LINER TRACK FOR STEPS IS INSTALLED WITH THE BARB FACING THE RISER WALL ON THE STEP.

EXCAVATION NOTES:

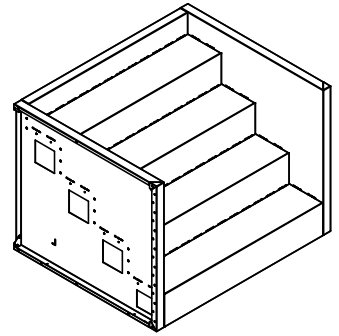
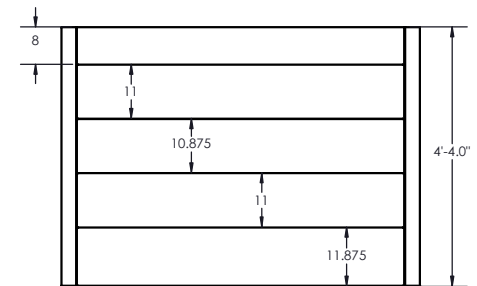
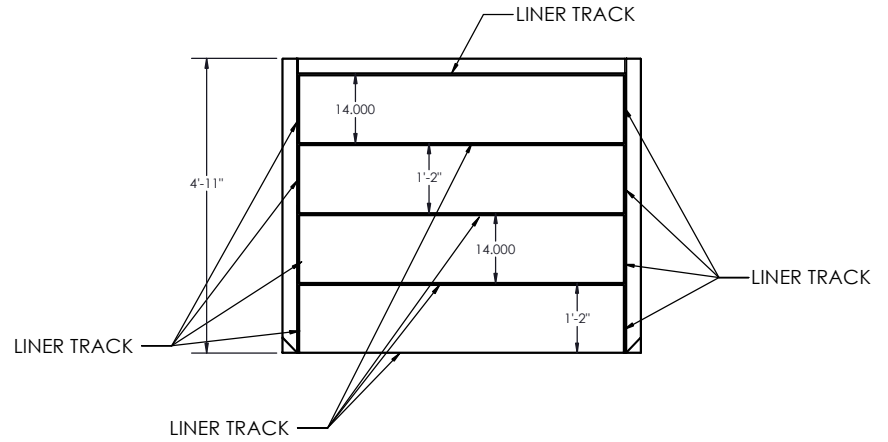
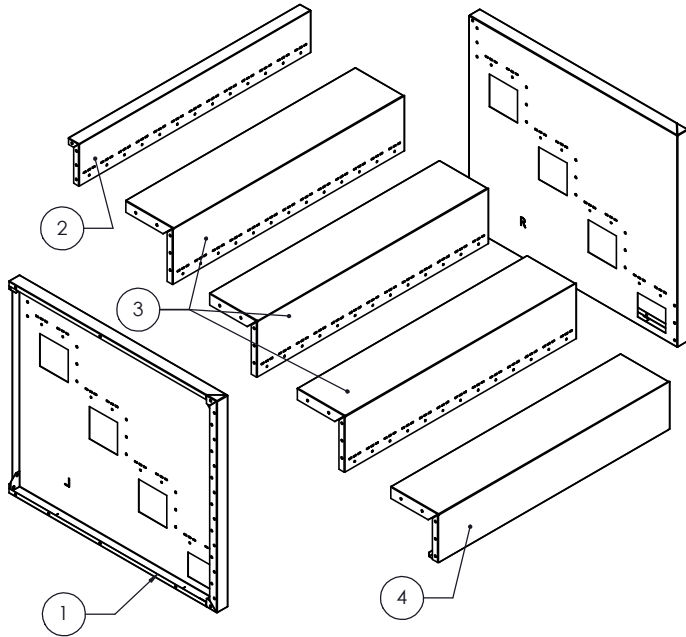
5. ROUGH EXCAVATION SHOULD BE 2" DEEPER IN EACH INSTANCE.
6. SOIL TO HAVE MINIMUM BEARING CAPACITY OF 1500 PSF.
7. LOCATE TOP OF POOL AT LEAST 6" ABOVE THE SURROUNDING LAND ELEVATION.
8. SEE "OVER DIG DETAIL", IN INSTALLATION MANUAL, FOR EXCAVATION AROUND POOL.
9. FILL VOIDS UNDER BASE OF PANELS AND TAMP WELL.
10. BACK FILL WITH NON-EXPANSIVE MATERIAL.
11. FOLLOW ALL CURRENT ANSI / APSP / ICC GUIDELINES FOR RESIDENTIAL POOLS

IMPORTANT NOTES:

THIS DOCUMENT IS FOR ILLUSTRATIVE PURPOSES ONLY. THE DEALER OR CONTRACTOR WHO SELLS OR INSTALLS YOUR POOL IS AN INDEPENDENT CONTRACTOR AND IS NOT AN AGENT OF THE MANUFACTURER. THE CONSTRUCTION METHODS ILLUSTRATED HERE ARE SUGGESTIONS AND APPLY ONLY TO NORMAL GROUND CONDITIONS. THERE MAY BE ADDITIONAL PRECAUTIONS AND/OR METHODS OF CONSTRUCTION. PROPER INSTALLATION IS THE RESPONSIBILITY OF THE DEALER/BUILDER/CONTRACTOR.

ENGINEERING DRAWING NUMBER: 00041343	WEIGHT: lbs	UNLESS OTHERWISE SPECIFIED DIMENSIONS ARE IN INCHES TOLERANCES DECIMALS: X ± .1 XX ± .01 XXX ± .001 XXXX ± .0005 ANGULAR: X ± 0.5 THIRD ANGLE PROJECTION 	DESIGNED BY: RMILLER	CREATION DATE: 10/10/2019	SAMSON STEEL TITLE: LAYOUT, 14' X 28', GRECIAN, HSSF27996, 1- AQUA GENIE, 850 SERIES
	VOLUME: Inch ³		DETAILED BY: RMILLER	DETAILED DATE: 12/21/2022	
	COLOR:		LAST REVISED BY: lessex	LAST REVISED DATE: 12/19/2022	
	HEAT TREAT:		MATERIAL:	PART NUMBER: 00041343	
FINISH:	SCALE: 1:100	SIZE: A			
TEXTURE:	SHEET: 2 OF 3				

REVISION HISTORY				
REV	DESCRIPTION	DATE	ECO	BY
A	ISSUE FOR CONSTRUCTION FROM DIMENSIONS TO THIS DRAWING	02/20/22		RMILLER
B	REVISIONS FOR HYDRA PUMP/VALVE	02/20/22		RMILLER
C	REVISIONS FOR PERMITS/APP	11/02/22		RMILLER
D	REVISIONS FOR FINISHES	12/02/22		RMILLER



- NOTES:**
- 2 THESE ARE FINISHED DIMENSIONS READY FOR THE LINER.
 - 3 DIMENSIONS ARE FROM INSIDE POOL PANELS.
 - 4 ROPE AND FLOAT ASSEMBLY SHOULD BE INSTALLED IN ACCORDANCE WITH CURRENT ANSIS/ASPI/ICC REGULATIONS.
- EXCAVATION NOTES:**
- 6 ROUGH EXCAVATION SHOULD BE 2" DEEPER IN EACH INSTANCE.
 - 7 SOIL TO HAVE MINIMUM BEARING CAPACITY OF 1500 PSF.
 - 8 LOCATE TOP OF POOL AT LEAST 4' ABOVE THE SURROUNDING LAND ELEVATION.
 - 9 SEE "OVER DIG DETAIL" FOR EXCAVATION AROUND POOL.
 - 0 FILL VOIDS UNDER BASE OF PANELS AND TAMP WELL.
 - 1 BACK FILL WITH NON-EXPANSIVE MATERIAL.
- IMPORTANT NOTES:**
- 2 FOLLOW ALL CURRENT ANSIS / AISP / ICC GUIDELINES FOR RESIDENTIAL POOLS.

THIS DOCUMENT IS FOR ILLUSTRATIVE PURPOSES ONLY. THE DEALER OR CONTRACTOR WHO SELLS OR INSTALLS YOUR POOL IS AN INDEPENDENT CONTRACTOR AND IS NOT AN AGENT OF THE MANUFACTURER. THE CONSTRUCTION METHODS ILLUSTRATED HERE ARE SUGGESTIONS AND APPLY ONLY TO NORMAL GROUND CONDITIONS. THERE MAY BE ADDITIONAL PRECAUTIONS AND/OR METHODS OF CONSTRUCTION. PROPER INSTALLATION IS THE RESPONSIBILITY OF THE DEALER/BUILDER/CONTRACTOR.

ITEM	FILE NAME	DESCRIPTION	CUSTOMER DRAWING #	VENDOR PART #	QTY
1	00027998	ASSEMBLY, PANEL, STEP, 52 IN WALL, 4 TREAD LEFT SIDE	00027998		1
2	00028000	TREAD, STEP, 52 IN, TOP, 45.78" WIDE	00028000	00028000	1
3	00028001	TREAD, STEP, 52 IN, CENTER, 45.78" WIDE	00028001	00028001	3
4	00028002	TREAD, STEP, 52 IN, BOTTOM, 45.78" WIDE	00028002	00028002	1
5	00027997	ASSEMBLY, PANEL, STEP, 52 IN WALL, 4 TREAD, RIGHT SIDE	00027997		1
6	BOLT, PACK	BOLT, FLANGE, 3/8-16 X 1", PACK (50)	HPS1916	HPS1916	3

PART NUMBER: 00041343	WEIGHT: _____ LBS	UNLESS OTHERWISE SPECIFIED DIMENSIONS ARE IN INCHES TOLERANCES DECIMALS: X + .1 XX + .01 XXX + .001 XXXX + .0005 ANGULAR: X ± 0.5 THIRD ANGLE PROJECTION	DESIGNED BY: RMILLER	CREATION DATE: 10/10/2019	SAMSON STEEL TITLE: LAYOUT, 14' X 28', GRECIAN, HSSF:27996, 1-AQUA GENIE, 850 SERIES PART NUMBER: 00041343	SCALE: 1/16"	SIZE: B
	VOLUME: _____ CU FT		DRAWN BY: RMILLER	DATE: 12/21/2022		SHEET: 3 OF 3	
	COLOR: _____		LAST REVISED BY: BESSEX	LAST REVISED DATE: 12/19/2022			
	HEAT TREAT: _____		MATERIAL: _____				