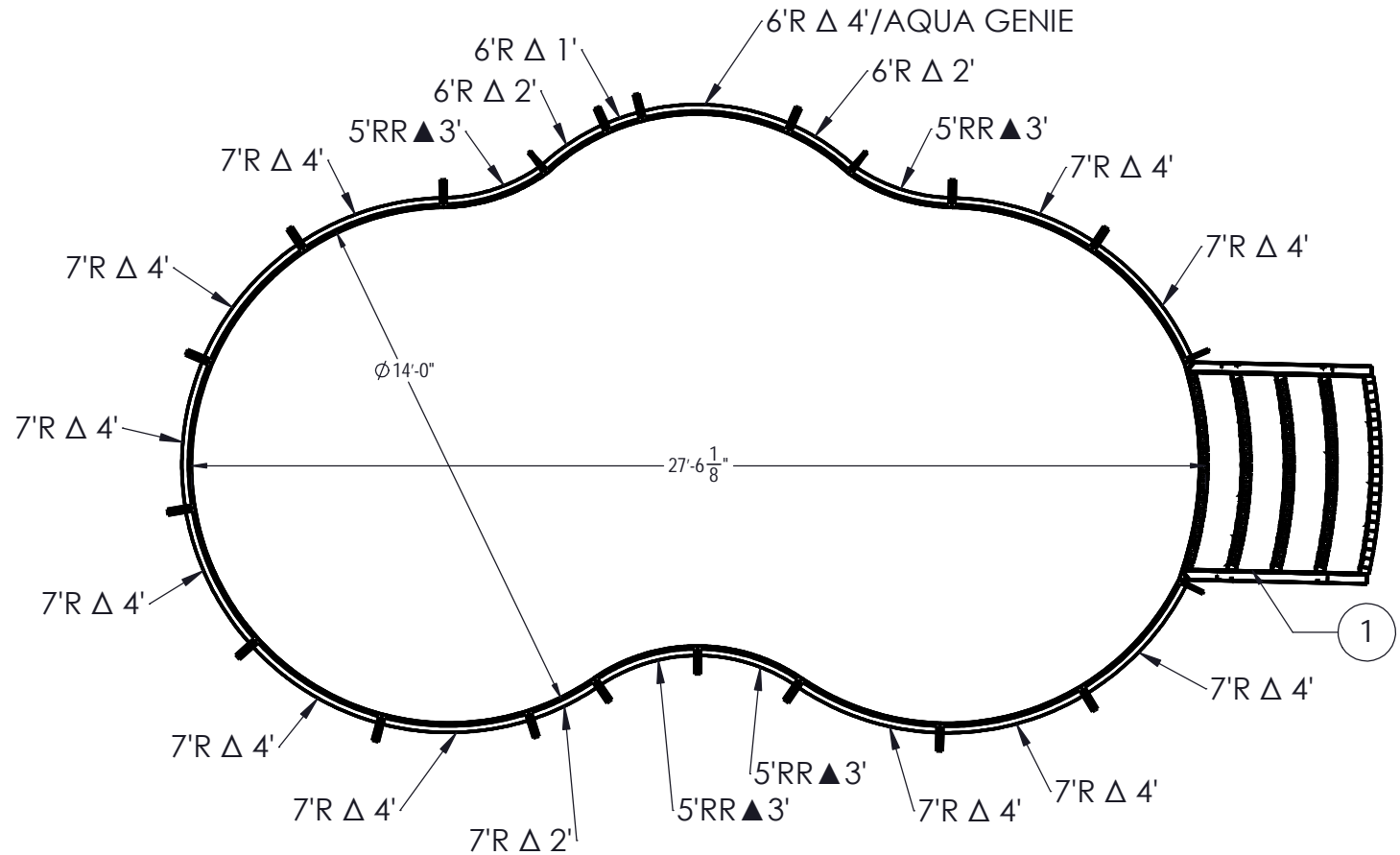
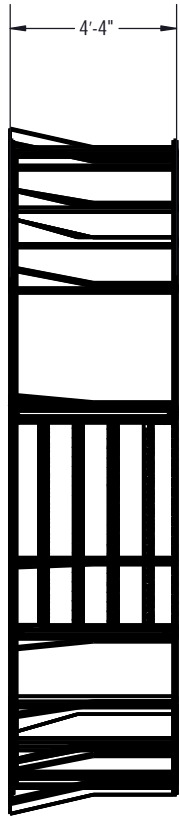


REVISION HISTORY				
REV	DESCRIPTION	DATE	ECO	BY
A	RELEASED FOR NOTE	2/24/2022		RMILLER
B	UPDATED PER TICKET #199825	12/14/2022		IESSEX
C	ADDED DIG NOTES	3/17/2023		IESSEX
D	UPDATED PER TICKET #119476	3/25/2023		IESSEX



NOTES:

- THESE ARE FINISHED DIMENSIONS READY FOR THE LINER.
- DIMENSIONS ARE FROM INSIDE POOL PANELS.
- ROPE AND FLOAT ASSEMBLY SHOULD BE INSTALLED IN ACCORDANCE WITH CURRENT ANSI/APSP/ICC REGULATIONS
- HYDRA LINER TRACK FOR STEPS IS INSTALLED WITH THE BARB FACING THE RISER WALL ON THE STEP.

EXCAVATION NOTES:

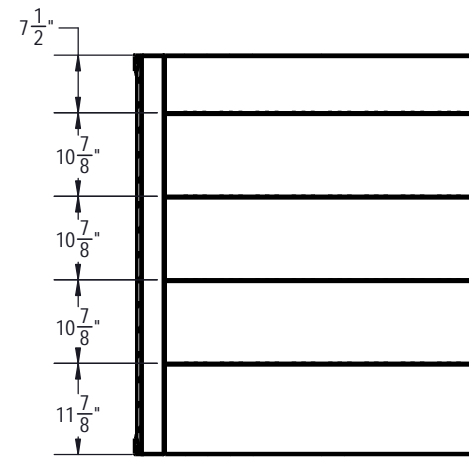
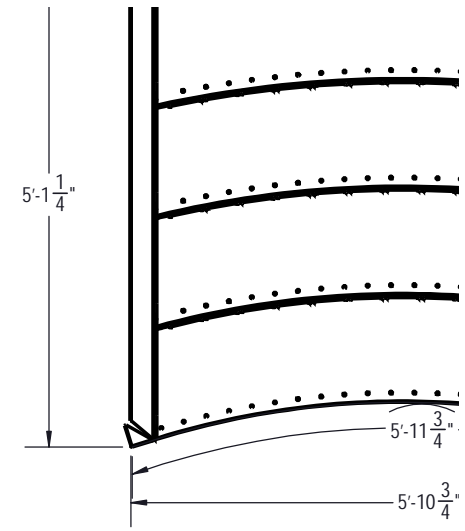
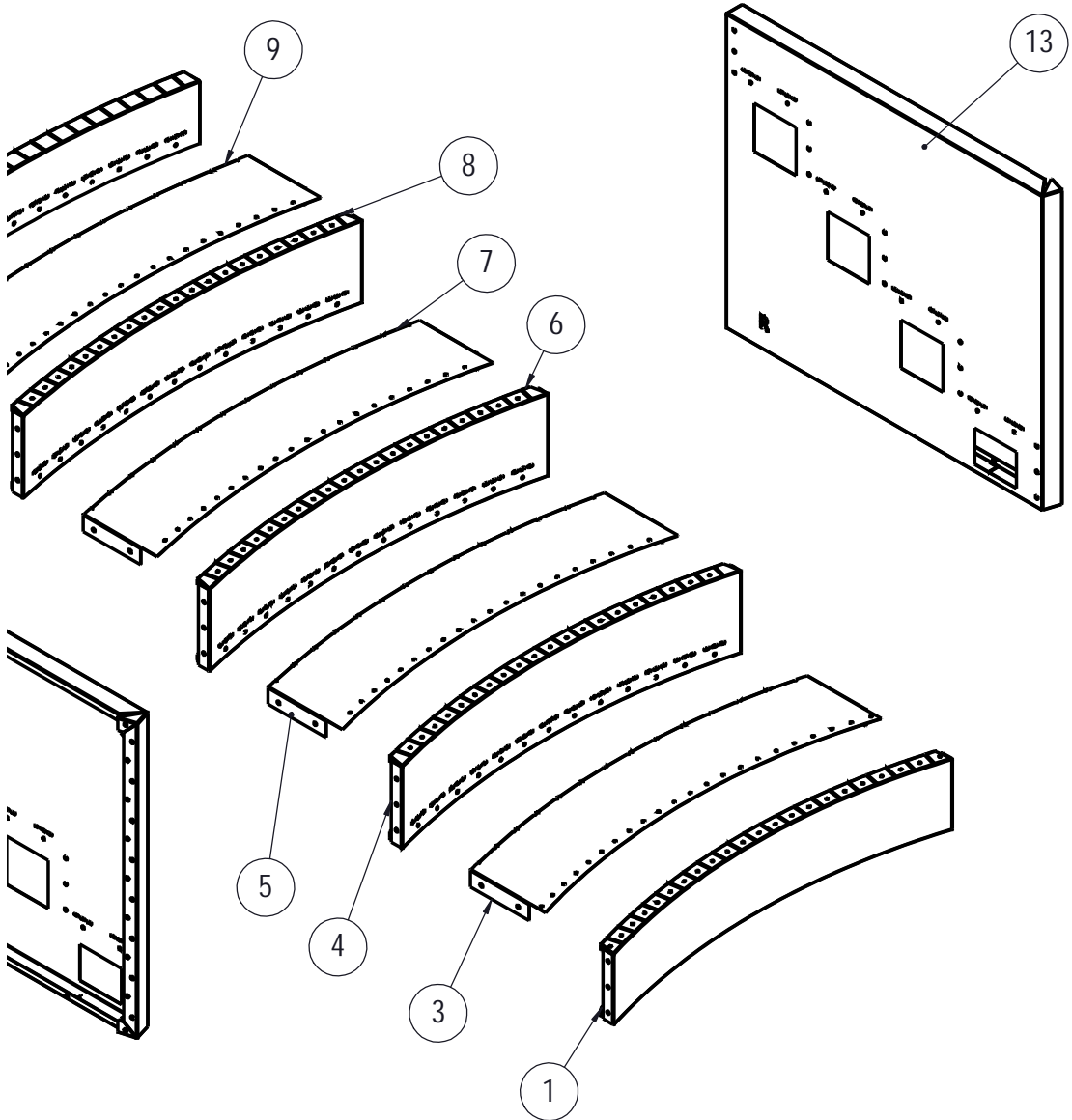
- ROUGH EXCAVATION SHOULD BE 2" DEEPER IN EACH INSTANCE.
- SOIL TO HAVE MINIMUM BEARING CAPACITY OF 1500 PSF.
- LOCATE TOP OF POOL AT LEAST 6" ABOVE THE SURROUNDING LAND ELEVATION.
- SEE "OVER DIG DETAIL", IN INSTALLATION MANUAL, FOR EXCAVATION AROUND POOL.
- FILL VOIDS UNDER BASE OF PANELS AND TAMP WELL.
- BACK FILL WITH NON-EXPANSIVE MATERIAL.
- FOLLOW ALL CURRENT ANSI / APSP / ICC GUIDELINES FOR RESIDENTIAL POOLS

IMPORTANT NOTES:

THIS DOCUMENT IS FOR ILLUSTRATIVE PURPOSES ONLY. THE DEALER OR CONTRACTOR WHO SELLS OR INSTALLS YOUR POOL IS AN INDEPENDENT CONTRACTOR AND IS NOT AN AGENT OF THE MANUFACTURER. THE CONSTRUCTION METHODS ILLUSTRATED HERE ARE SUGGESTIONS AND APPLY ONLY TO NORMAL GROUND CONDITIONS. THERE MAY BE ADDITIONAL PRECAUTIONS AND/OR METHODS OF CONSTRUCTION. PROPER INSTALLATION IS THE RESPONSIBILITY OF THE DEALER/BUILDER/CONTRACTOR.

ITEM	FILE NAME	DESCRIPTION	CUSTOMER DRAWING #	VENDOR PART #	QTY.
1	00028304	ASSEMBLY, STEP, 52 IN WALL, 4 TREAD, 9 FT RADIUS, 6" WIDE, 90° CORNER	HSSH28304	00028304	1
2	BOLT, PACK	BOLT, FLANGE, 3/8-16 X 1", PACK (50)	HPS1916	HPS1916	9
3	52 IN BRACE	BRACE, BUTTRESS, 52", 850 SERIES	HPSH1RBR	00025945	21
4	52 IN PANEL, RR	PANEL, 5" REVERSE RADIUS, 3' LONG, 850 SERIES	HPSH5RR3	00027944	4
5	52 IN PANEL, RADIUS	PANEL, 6" RADIUS, 1' LONG, 850 SERIES	HPSH6R1	00027945	1
6	52 IN PANEL, RADIUS	PANEL, 7" RADIUS, 2' LONG, 850 SERIES	HPSH7R2	00027947	1
7	52 IN PANEL, RADIUS	PANEL, 7" RADIUS, 4' LONG, 850 SERIES	HPSH7R4	00027946	11
8	STAKE	STAKE, 14 GA	HPSSTAKE	00003484	21
9	52 IN PANEL, RADIUS	PANEL, 6" RADIUS, 4' LONG, AQUA GENIE, 850 SERIES	HPSH6R4AG	00046576	1
10	52 IN PANEL, RADIUS	PANEL, 7" RADIUS, 2' LONG, 850 SERIES	HP SH6R2	00027945	2

ENGINEERING DRAWING NUMBER: 00041366	WEIGHT: lbs	UNLESS OTHERWISE SPECIFIED DIMENSIONS ARE IN INCHES TOLERANCES DECIMALS: X ± .1 XX ± .01 XXX ± .001 XXXX ± .0005 ANGULAR: X ± 0.5 THIRD ANGLE PROJECTION	DESIGNED BY: RMILLER	DATE: 10/25/2019	SAMSON STEEL
	VOLUME: Inch ³		DETAILED BY: RMILLER	DATE: 3/25/2023	
	COLOR:		LAST REVISED BY: iessex	DATE: 3/25/2023	
	HEAT TREAT:		MATERIAL:	TITLE: LAYOUT, 14X28, LAGOON, HPSH28304, 1- AQUA GENIE, 850 SERIES	
FINISH:					PART NUMBER: 00041366
TEXTURE:					SCALE: 1:96 SHEET: 1 OF 2 SIZE: A



ITEM	FILE NAME	
1	00028303	RISER, 9FT R
2	00028294	ASSEMBLY, F LEFT SIDE
3	00028298	TREAD, 9FT F
4	00028302	RISER, 9FT R
5	00028297	TREAD, 9FT F
6	00028301	RISER, 9FT R
7	00028296	TREAD, 9FT F
8	00028300	RISER, 9FT R
9	00028295	TREAD, 9FT F
10	00028299	RISER, 9FT R
11	BOLT, PACK	BOLT, FLANG
12	FHSCS 0.375-16x1x1-HX-N	
13	00028293	ASSEMBLY, F RIGHT SIDE