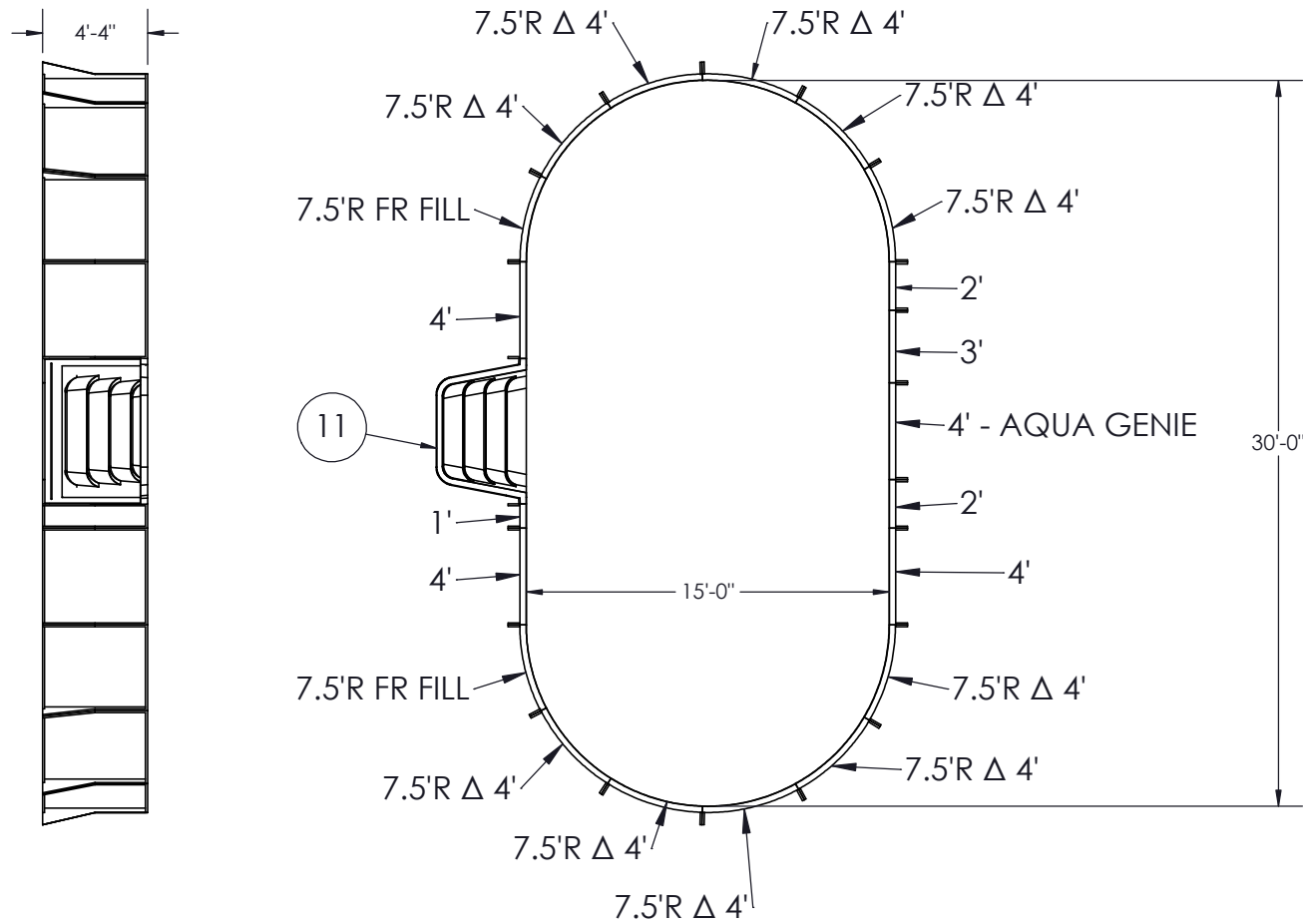


REVISION HISTORY				
REV.	DESCRIPTION	DATE	ECO	BY
E	UPDATED PER TICKET	4/9/2023	NONE	RMILLER



NOTES:

1. THESE ARE FINISHED DIMENSIONS READY FOR THE LINER.
2. DIMENSIONS ARE FROM INSIDE POOL PANELS.
3. ROPE AND FLOAT ASSEMBLY SHOULD BE INSTALLED IN ACCORDANCE WITH CURRENT ANSI/ASPS/ICC REGULATIONS
4. HYDRA LINER TRACK FOR STEPS IS INSTALLED WITH THE BARB FACING THE RISER WALL ON THE STEP.

EXCAVATION NOTES:

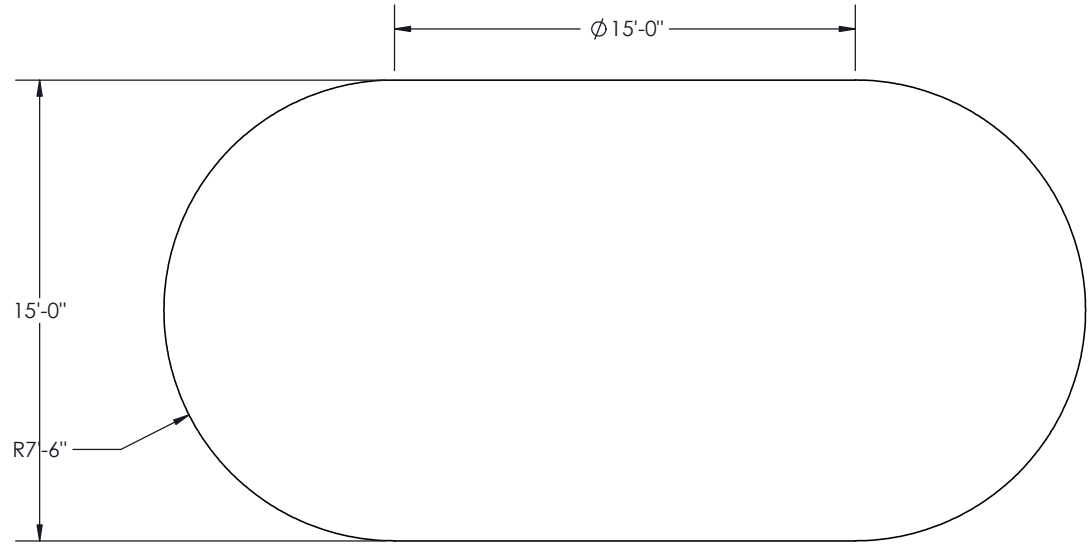
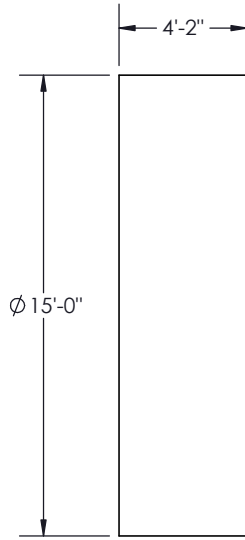
5. ROUGH EXCAVATION SHOULD BE 2" DEEPER IN EACH INSTANCE.
6. SOIL TO HAVE MINIMUM BEARING CAPACITY OF 1500 PSF.
7. LOCATE TOP OF POOL AT LEAST 6" ABOVE THE SURROUNDING LAND ELEVATION.
8. SEE "OVER DIG DETAIL", IN INSTALLATION MANUAL, FOR EXCAVATION AROUND POOL.
9. FILL VOIDS UNDER BASE OF PANELS AND TAMP WELL.
10. BACK FILL WITH NON-EXPANSIVE MATERIAL.
11. FOLLOW ALL CURRENT ANSI / APS / ICC GUIDELINES FOR RESIDENTIAL POOLS

IMPORTANT NOTES:

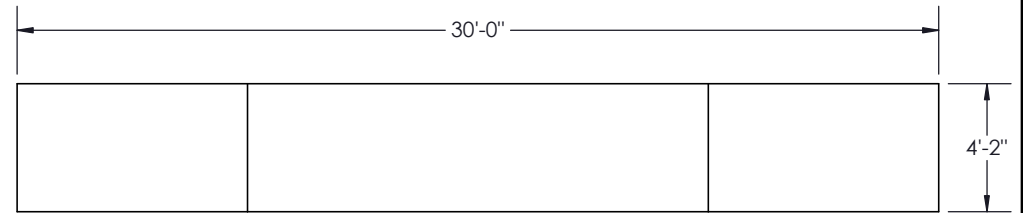
THIS DOCUMENT IS FOR ILLUSTRATIVE PURPOSES ONLY. THE DEALER OR CONTRACTOR WHO SELLS OR INSTALLS YOUR POOL IS AN INDEPENDENT CONTRACTOR AND IS NOT AN AGENT OF THE MANUFACTURER. THE CONSTRUCTION METHODS ILLUSTRATED HERE ARE SUGGESTIONS AND APPLY ONLY TO NORMAL GROUND CONDITIONS. THERE MAY BE ADDITIONAL PRECAUTIONS AND/OR METHODS OF CONSTRUCTION. PROPER INSTALLATION IS THE RESPONSIBILITY OF THE DEALER/BUILDER/CONTRACTOR.

ITEM	FILE NAME	DESCRIPTION	CUSTOMER DRAWING #	VENDOR PART #	QTY.	
1	BOLT, PACK	BOLT, FLANGE, 3/8-16 X 1", PACK (50)		HPS1916	8	
2	STAKE	STAKE, 14 GA		HPSSTAKE	00003484	21
3	52IN PANEL, STRAIGHT	PANEL, 1' LONG, 850 SERIES		HPSH101P	00027620	1
4	52 IN PANEL, RADIUS	PANEL, 7.5' RADIUS, FULL RADIUS FILL, 850 SERIES		HPSH76R3674	00027724	2
5	52 IN PANEL, RADIUS	PANEL, 7.5' RADIUS, 4' LONG, 850 SERIES		HPSH76R4	00025937	10
6	52IN PANEL, STRAIGHT	PANEL, 4' LONG, AQUA GENIE, 850 SERIES		HPSH104AG	00027234	1
7	52IN PANEL, STRAIGHT	PANEL, 4' LONG, 850 SERIES		HPSH104P	00025308	3
8	52IN PANEL, STRAIGHT	PANEL, 3' LONG, 850 SERIES		HPSH103P	00025940	1
9	52IN STD LINER	LINER, 15' X 30' OVAL, 850 SERIES		HL1530OVAL52	00028123	1
10	52IN, BRACE	BRACE, BUTTRESS, 52", 850 SERIES		HPSHTRIBRC	00025945	21
11	HS510N	STEP, 52" BULLNOSE, STRAIGHT, 6'		HS510N	HS510N	1
12	52IN PANEL, STRAIGHT	PANEL, 2' LONG, 850 SERIES		HPSH102P	00027618	2

ENGINEERING DRAWING NUMBER: 00043169	WEIGHT: lbs	UNLESS OTHERWISE SPECIFIED DIMENSIONS ARE IN INCHES TOLERANCES DECIMALS: X ± .1 XX ± .01 XXX ± .001 XXXX ± .0005 ANGULAR: X ± 0.5 THIRD ANGLE PROJECTION	DESIGNED BY: RMILLER	CREATION DATE: 10/10/2019	SAMSON STEEL		
	VOLUME: Inch ³		DETAILED BY: RMILLER	DETAILED DATE: 4/9/2023			
	COLOR:		LAST REVISED BY: jessex	LAST REVISED DATE: 3/14/2023	TITLE: LAYOUT, 15 X 30', OVAL, HS510N, 1- AQUA GENIE, 850 SERIES		
	HEAT TREAT:		MATERIAL:				
FINISH:	SIZE: A		SHEET: 1 OF 2	SCALE: 1:100	PART NUMBER: 00043169	REV E	
TEXTURE:							



AREA		PERIMETER	VOLUME
SQ. FT.	FT.		U.S. GALLONS
401.71	77.12		12521



NOTES:

- THESE ARE FINISHED DIMENSIONS READY FOR THE LINER.
- DIMENSIONS ARE FROM INSIDE POOL PANELS.
- ROPE AND FLOAT ASSEMBLY SHOULD BE INSTALLED IN ACCORDANCE WITH CURRENT ANSI/ASPS/ICC REGULATIONS
- HYDRA LINER TRACK FOR STEPS IS INSTALLED WITH THE BARB FACING THE RISER WALL ON THE STEP.

EXCAVATION NOTES:

- ROUGH EXCAVATION SHOULD BE 2" DEEPER IN EACH INSTANCE.
- SOIL TO HAVE MINIMUM BEARING CAPACITY OF 1500 PSF.
- LOCATE TOP OF POOL AT LEAST 6" ABOVE THE SURROUNDING LAND ELEVATION.
- SEE "OVER DIG DETAIL", IN INSTALLATION MANUAL, FOR EXCAVATION AROUND POOL.
- FILL VOIDS UNDER BASE OF PANELS AND TAMP WELL.
- BACK FILL WITH NON-EXPANSIVE MATERIAL.
- FOLLOW ALL CURRENT ANSI / APSP / ICC GUIDELINES FOR RESIDENTIAL POOLS

IMPORTANT NOTES:

THIS DOCUMENT IS FOR ILLUSTRATIVE PURPOSES ONLY. THE DEALER OR CONTRACTOR WHO SELLS OR INSTALLS YOUR POOL IS AN INDEPENDENT CONTRACTOR AND IS NOT AN AGENT OF THE MANUFACTURER. THE CONSTRUCTION METHODS ILLUSTRATED HERE ARE SUGGESTIONS AND APPLY ONLY TO NORMAL GROUND CONDITIONS. THERE MAY BE ADDITIONAL PRECAUTIONS AND/OR METHODS OF CONSTRUCTION. PROPER INSTALLATION IS THE RESPONSIBILITY OF THE DEALER/BUILDER/CONTRACTOR.

ENGINEERING DRAWING NUMBER: 00043169	WEIGHT: lbs	UNLESS OTHERWISE SPECIFIED DIMENSIONS ARE IN INCHES TOLERANCES DECIMALS: X ± .1 XX ± .01 XXX ± .001 XXXX ± .0005 ANGULAR: X ± 0.5 THIRD ANGLE PROJECTION 	DESIGNED BY: RMILLER	CREATION DATE: 10/10/2019	SAMSON STEEL			
	VOLUME: Inch³		DETAILED BY: RMILLER	DETAILED DATE: 4/9/2023				
	COLOR:		LAST REVISED BY: jessex	LAST REVISED DATE: 3/14/2023	TITLE: LAYOUT, 15 X 30', OVAL, HS510N, 1- AQUA GENIE, 850 SERIES			
	HEAT TREAT:		MATERIAL:					
	FINISH:		SIZE: A	SHEET: 2 OF 2			SCALE: 1:100	PART NUMBER: 00043169
TEXTURE:								