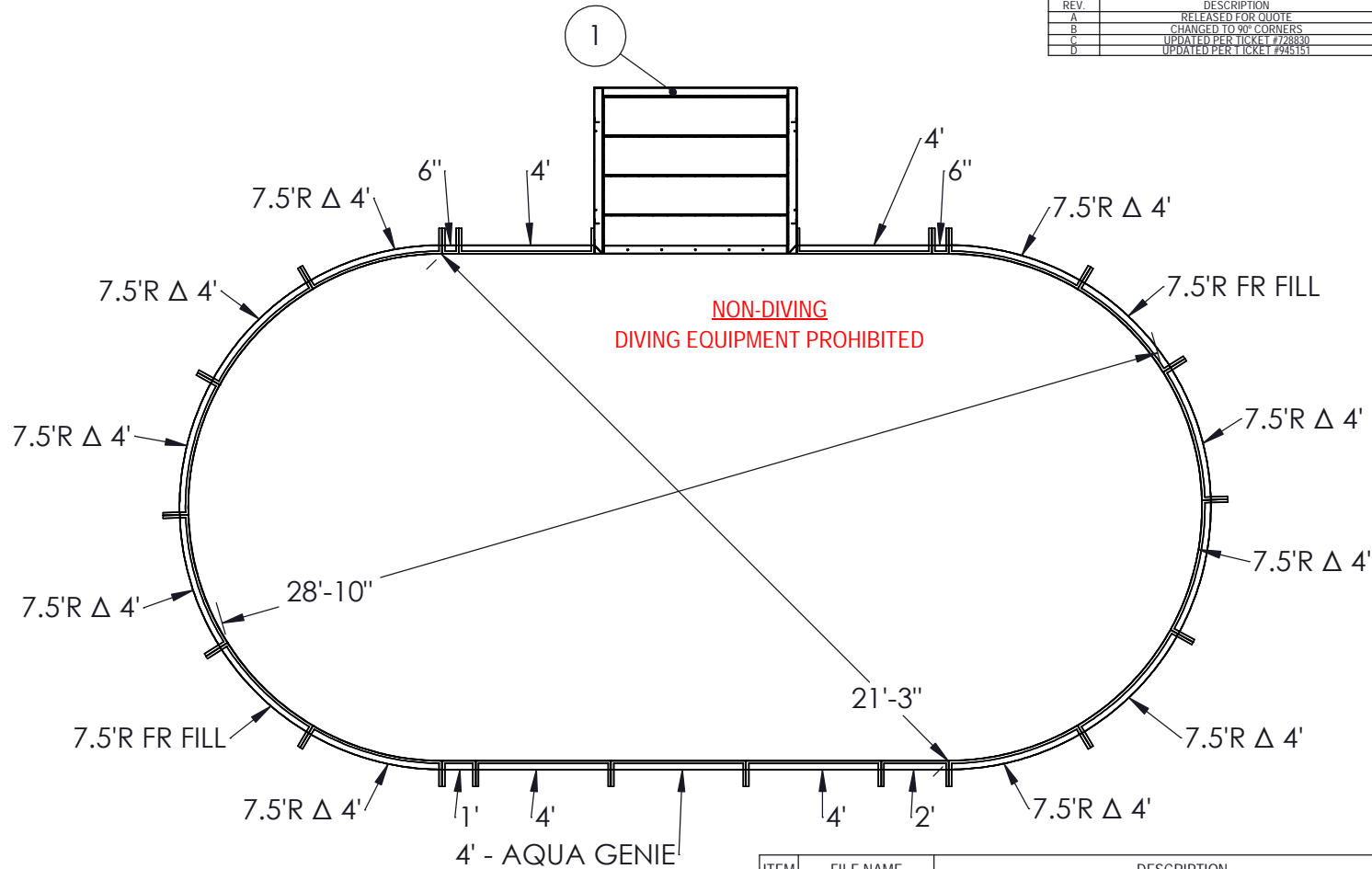


REVISION HISTORY				
REV.	DESCRIPTION	DATE	ECO	BY
A	RELEASED FOR QUOTE	3/11/2022		CHALL
B	CHANGED TO 90° CORNERS	12/12/2022		MROGERS
C	UPDATED PER TICKET #72830	12/14/2022		JESSEX
D	UPDATED PER TICKET #945151	3/14/2023		CHALL



NOTES:

- THESE ARE FINISHED DIMENSIONS READY FOR THE LINER.
- DIMENSIONS ARE FROM INSIDE POOL PANELS.
- ROPE AND FLOAT ASSEMBLY SHOULD BE INSTALLED IN ACCORDANCE WITH CURRENT ANSI/APSP/ICC REGULATIONS
- HYDRA LINER TRACK FOR STEPS IS INSTALLED WITH THE BARB FACING THE RISER WALL ON THE STEP.

EXCAVATION NOTES:

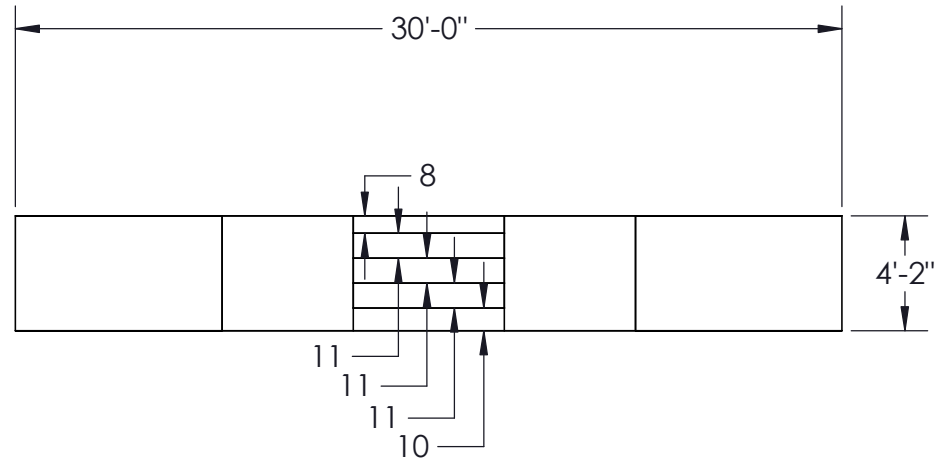
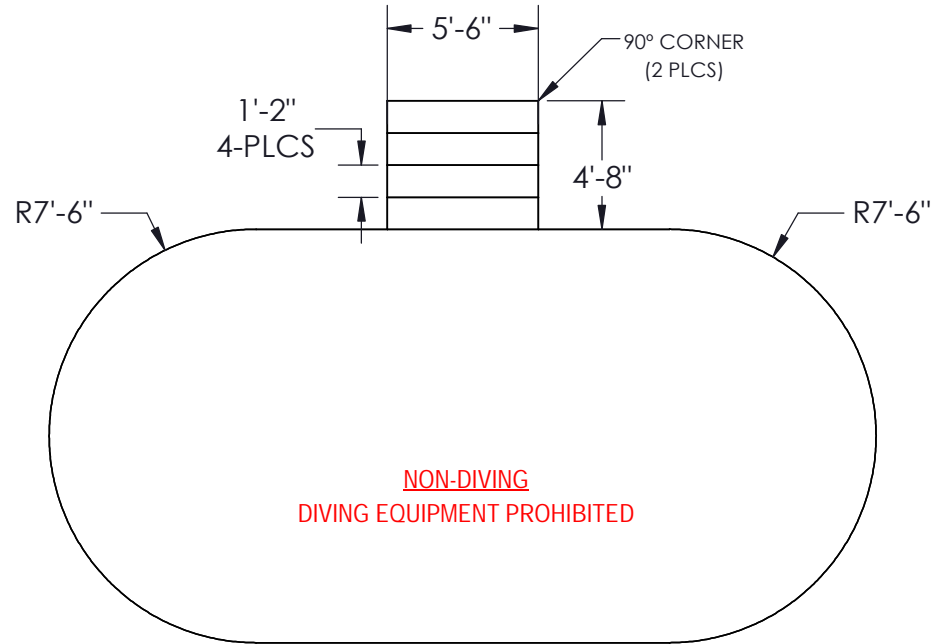
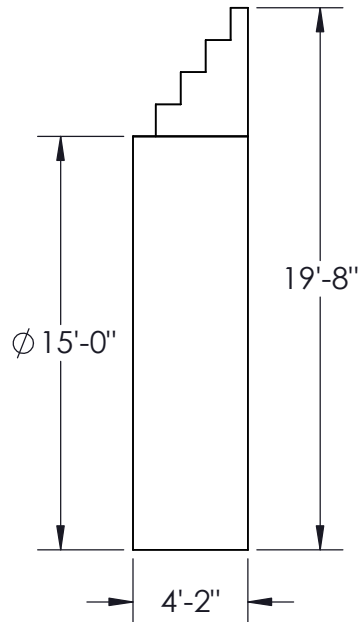
- ROUGH EXCAVATION SHOULD BE 2" DEEPER IN EACH INSTANCE.
- SOIL TO HAVE MINIMUM BEARING CAPACITY OF 1500 PSF.
- LOCATE TOP OF POOL AT LEAST 6" ABOVE THE SURROUNDING LAND ELEVATION.
- SEE "OVER DIG DETAIL", IN INSTALLATION MANUAL, FOR EXCAVATION AROUND POOL.
- FILL VOIDS UNDER BASE OF PANELS AND TAMP WELL.
- BACK FILL WITH NON-EXPANSIVE MATERIAL.
- FOLLOW ALL CURRENT ANSI / APSP / ICC GUIDELINES FOR RESIDENTIAL POOLS

IMPORTANT NOTES:

THIS DOCUMENT IS FOR ILLUSTRATIVE PURPOSES ONLY. THE DEALER OR CONTRACTOR WHO SELLS OR INSTALLS YOUR POOL IS AN INDEPENDENT CONTRACTOR AND IS NOT AN AGENT OF THE MANUFACTURER. THE CONSTRUCTION METHODS ILLUSTRATED HERE ARE SUGGESTIONS AND APPLY ONLY TO NORMAL GROUND CONDITIONS. THERE MAY BE ADDITIONAL PRECAUTIONS AND/OR METHODS OF CONSTRUCTION. PROPER INSTALLATION IS THE RESPONSIBILITY OF THE DEALER/BUILDER/CONTRACTOR.

ITEM	FILE NAME	DESCRIPTION	CUSTOMER DRAWING #	VENDOR PART #	QTY.
1	00027996	ASSEMBLY, STEP, 52 IN WALL, 4 TREAD, 6" WIDE, 90° CORNER	HSSH27996		1
2	BOLT, PACK	BOLT, FLANGE, 3/8-16 X 1", PACK (50)	HPS1916	HPS1916	9
3	52IN, BRACE	BRACE, BUTTRESS, 52", 850 SERIES	HPSHTRIBRC	00025945	22
4	00041762	LAYOUT, 15'X30' OVAL, HSSH27996, 1-AQUA GENIE, 850 SERIES	00041762		1
6	52IN PANEL, STRAIGHT	PANEL, 2' LONG, 850 SERIES	HPSH102P	00027618	1
7	52IN PANEL, STRAIGHT	PANEL, 4' LONG, 850 SERIES	HPSH104P	00025308	4
8	52IN PANEL, STRAIGHT	PANEL, 4' LONG, AQUA GENIE, 850 SERIES	HPSH104AG	00027234	1
9	52IN PANEL, STRAIGHT	PANEL, 6' LONG, 850 SERIES	HPSH006P	00025946	2
10	52 IN PANEL, RADIUS	PANEL, 7.5' RADIUS, 4' LONG, 850 SERIES	HPSH76R4	00025937	10
11	52 IN PANEL, RADIUS	PANEL, 7.5' RADIUS, FULL RADIUS FILL, 850 SERIES	HPSH76R3674	00027724	2
12	52IN PANEL, STRAIGHT	PANEL, 1' LONG, 850 SERIES	HPSH101P	00027620	1
13	STAKE	STAKE, 14 GA	HPSSTAKE	00003484	22

ENGINEERING DRAWING NUMBER: 00041762	WEIGHT: lbs	UNLESS OTHERWISE SPECIFIED DIMENSIONS ARE IN INCHES TOLERANCES DECIMALS: X ± .1 XX ± .01 XXX ± .001 XXXX ± .0005 ANGULAR: X ± 0.5 THIRD ANGLE PROJECTION	DESIGNED BY: CHALL	CREATION DATE: 10/10/2019	SAMSON STEEL	
	VOLUME: Inch ³		DETAILED BY: CHALL	DETAILED DATE: 4/9/2023		
	COLOR:		LAST REVISED BY: Jessex	LAST REVISED DATE: 3/14/2023		
	HEAT TREAT:		MATERIAL:	TITLE: LAYOUT, 15'X30' OVAL, HSSH27996, 1-AQUA GENIE, 850 SERIES		
FINISH:				PART NUMBER:	SCALE: 1:100	SIZE: A
TEXTURE:					00041762	1 OF 4



AREA		PERIMETER	VOLUME
SQ. FT.	FT.		U.S. GALLONS
427.30	86.46		12900.19

NOTES:

1. THESE ARE FINISHED DIMENSIONS READY FOR THE LINER.
2. DIMENSIONS ARE FROM INSIDE POOL PANELS.
3. ROPE AND FLOAT ASSEMBLY SHOULD BE INSTALLED IN ACCORDANCE WITH CURRENT ANSI/APSP/ICC REGULATIONS
4. HYDRA LINER TRACK FOR STEPS IS INSTALLED WITH THE BARB FACING THE RISER WALL ON THE STEP.

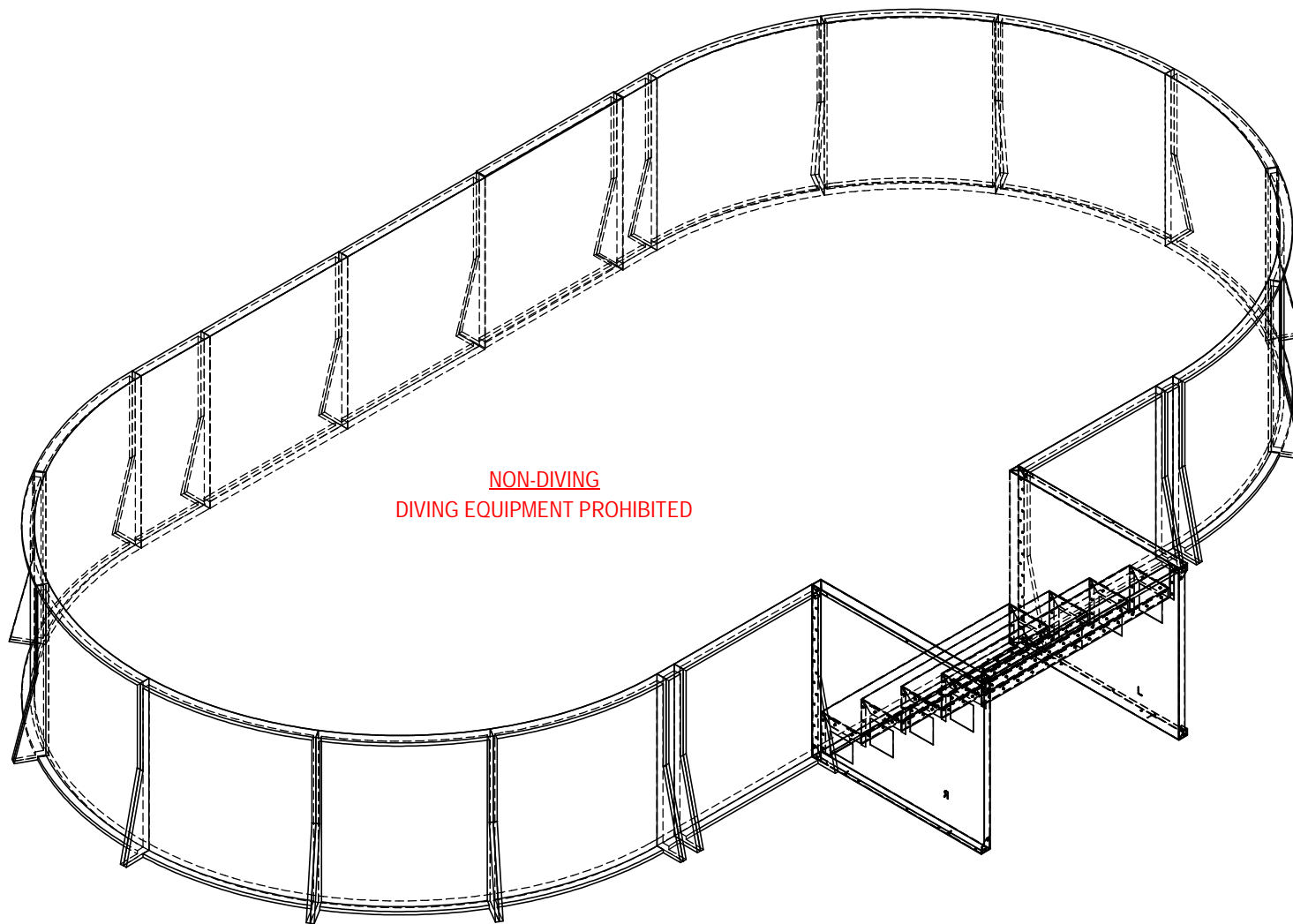
EXCAVATION NOTES:

5. ROUGH EXCAVATION SHOULD BE 2" DEEPER IN EACH INSTANCE.
6. SOIL TO HAVE MINIMUM BEARING CAPACITY OF 1500 PSF.
7. LOCATE TOP OF POOL AT LEAST 6" ABOVE THE SURROUNDING LAND ELEVATION.
8. SEE "OVER DIG DETAIL", IN INSTALLATION MANUAL, FOR EXCAVATION AROUND POOL.
9. FILL VOIDS UNDER BASE OF PANELS AND TAMP WELL.
10. BACK FILL WITH NON-EXPANSIVE MATERIAL.
11. FOLLOW ALL CURRENT ANSI / APSP / ICC GUIDELINES FOR RESIDENTIAL POOLS


IMPORTANT NOTES:

THIS DOCUMENT IS FOR ILLUSTRATIVE PURPOSES ONLY. THE DEALER OR CONTRACTOR WHO SELLS OR INSTALLS YOUR POOL IS AN INDEPENDENT CONTRACTOR AND IS NOT AN AGENT OF THE MANUFACTURER. THE CONSTRUCTION METHODS ILLUSTRATED HERE ARE SUGGESTIONS AND APPLY ONLY TO NORMAL GROUND CONDITIONS. THERE MAY BE ADDITIONAL PRECAUTIONS AND/OR METHODS OF CONSTRUCTION. PROPER INSTALLATION IS THE RESPONSIBILITY OF THE DEALER/BUILDER/CONTRACTOR.

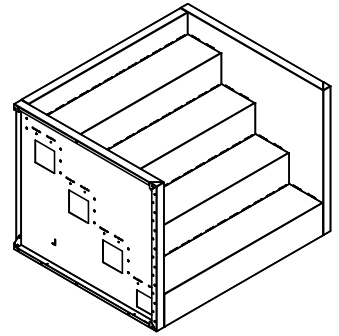
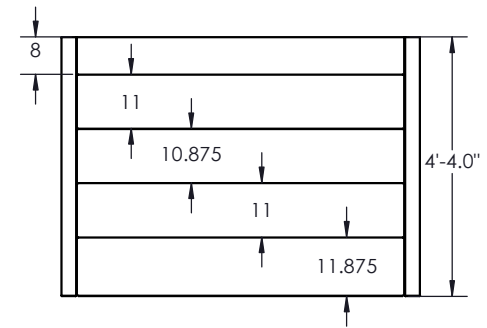
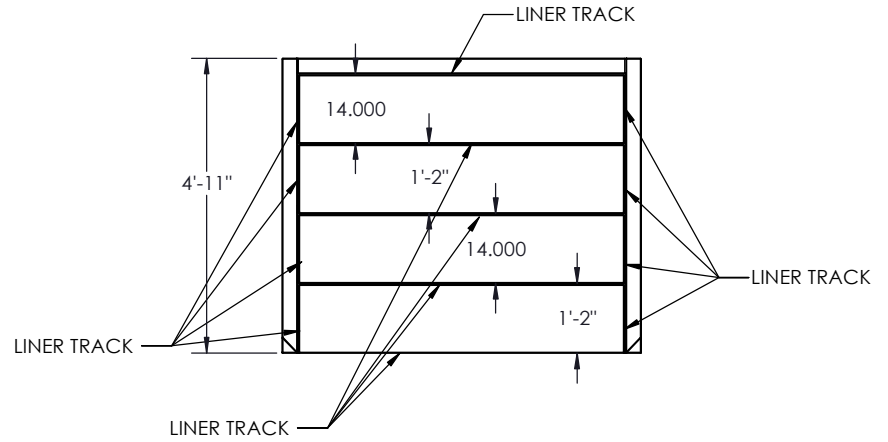
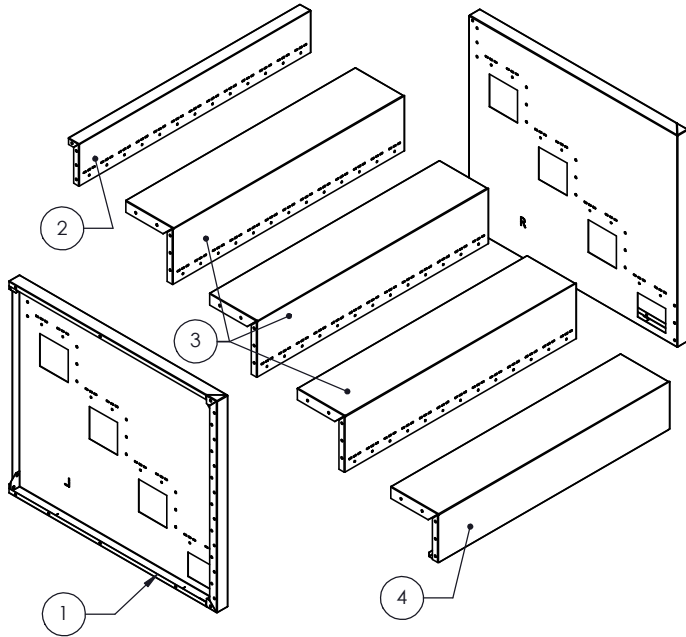
ENGINEERING DRAWING NUMBER: 00041762	WEIGHT: lbs	UNLESS OTHERWISE SPECIFIED DIMENSIONS ARE IN INCHES TOLERANCES DECIMALS: X ± .1 XX ± .01 XXX ± .001 XXXX ± .0005 ANGULAR: X ± 0.5 THIRD ANGLE PROJECTION	DESIGNED BY: CHALL	CREATION DATE: 10/10/2019	SAMSON STEEL	
	VOLUME: Inch ³		DETAILED BY: CHALL	DETAILED DATE: 4/9/2023		
	COLOR:		LAST REVISED BY: lessex	LAST REVISED DATE: 3/14/2023		
	HEAT TREAT:		MATERIAL:	TITLE: LAYOUT, 15'X30' OVAL, HSSH27996, 1-AQUA GENIE, 850 SERIES		
FINISH:			PART NUMBER:		SCALE: 1:100	SIZE: A
TEXTURE:					00041762	2 OF 4



**NON-DIVING
 DIVING EQUIPMENT PROHIBITED**

ENGINEERING DRAWING NUMBER: 00041762	WEIGHT:	UNLESS OTHERWISE SPECIFIED DIMENSIONS ARE IN INCHES TOLERANCES DECIMALS: X ± .1 XX ± .01 XXX ± .001 XXXX ± .0005 ANGULAR: X ± 0.5 THIRD ANGLE PROJECTION 	DESIGNED BY:	CREATION DATE:	SAMSON STEEL TITLE: LAYOUT, 15'X30' OVAL, HSSH27996, 1-AQUA GENIE, 850 SERIES PART NUMBER: 00041762	
	VOLUME:		CHALL	10/10/2019		
	COLOR:		DETAILED BY:	CHALL		4/9/2023
	HEAT TREAT:		LAST REVISED BY:	lessex		3/14/2023
	FINISH:		MATERIAL:			
TEXTURE:				SCALE: 1:100	SIZE: A	
				SHEET: 3 OF 4		

REVISION HISTORY					
REV	DESCRIPTION	DATE	EDD	BY	APP
A	ISSUE FOR CONSTRUCTION FROM DIMENSIONS TO THIS DRAWING	04/20/20		CHALL	
B	ISSUE FOR CONSTRUCTION FROM DIMENSIONS TO THIS DRAWING	04/20/20		CHALL	
C	ISSUE FOR CONSTRUCTION FROM DIMENSIONS TO THIS DRAWING	04/20/20		CHALL	
D	ISSUE FOR CONSTRUCTION FROM DIMENSIONS TO THIS DRAWING	04/20/20		CHALL	



- NOTES:**
- THESE ARE FINISHED DIMENSIONS READY FOR THE LINER.
 - DIMENSIONS ARE FROM INSIDE POOL PANELS.
 - ROPE AND FLOAT ASSEMBLY SHOULD BE INSTALLED IN ACCORDANCE WITH CURRENT ANSIS/ASPI/ICC REGULATIONS.
 - HYDRA LINER TRACK FOR STEPS IS INSTALLED WITH THE BARB FACING THE RISER WALL ON THE STEP.
- EXCAVATION NOTES:**
- ROUGH EXCAVATION SHOULD BE 2" DEEPER IN EACH INSTANCE.
 - SOIL TO HAVE MINIMUM BEARING CAPACITY OF 1500 PSF.
 - LOCATE TOP OF POOL AT LEAST 4" ABOVE THE SURROUNDING LAND ELEVATION.
 - SEE "OVER DIG DETAIL" FOR EXCAVATION AROUND POOL.
 - FILL VOIDS UNDER BASE OF PANELS AND TAMP WELL.
 - BACK FILL WITH NON-EXPANSIVE MATERIAL.
 - FOLLOW ALL CURRENT ANSIS / AISP / ICC GUIDELINES FOR RESIDENTIAL POOLS.

IMPORTANT NOTES:

THIS DOCUMENT IS FOR ILLUSTRATIVE PURPOSES ONLY. THE DEALER OR CONTRACTOR WHO SELLS OR INSTALLS YOUR POOL IS AN INDEPENDENT CONTRACTOR AND IS NOT AN AGENT OF THE MANUFACTURER. THE CONSTRUCTION METHODS ILLUSTRATED HERE ARE SUGGESTIONS AND APPLY ONLY TO NORMAL GROUND CONDITIONS. THERE MAY BE ADDITIONAL PRECAUTIONS AND/OR METHODS OF CONSTRUCTION. PROPER INSTALLATION IS THE RESPONSIBILITY OF THE DEALER/BUILDER/CONTRACTOR.

ITEM	FILE NAME	DESCRIPTION	CUSTOMER DRAWING #	VENDOR PART #	QTY
1	00027998	ASSEMBLY, PANEL, STEP, 52 IN WALL, 4 TREAD LEFT SIDE	00027998		1
2	00028000	TREAD, STEP, 52 IN, TOP, 45.78" WIDE	00028000	00028000	1
3	00028001	TREAD, STEP, 52 IN, CENTER, 45.78" WIDE	00028001	00028001	3
4	00028002	TREAD, STEP, 52 IN, BOTTOM, 45.78" WIDE	00028002	00028002	1
5	00027997	ASSEMBLY, PANEL, STEP, 52 IN WALL, 4 TREAD, RIGHT SIDE	00027997		1
6	BOLT, PACK	BOLT, FLANGE, 3/8-16 X 1", PACK (50)	HPS1916	HPS1916	3

WEIGHT: Lbs VOLUME: Yd ³ COLOR: HEAT TREAT: FINISH: TEXTURE:	UNLESS OTHERWISE SPECIFIED DIMENSIONS ARE IN INCHES TOLERANCES DECIMALS: X + .1 XX + .01 XXX + .001 XXXX + .0005 ANGULAR: X ± 0.5 THIRD ANGLE PROJECTION	DESIGNED BY: CHALL	CREATOR DATE: 10/10/2019	SAMSON STEEL	
		DRAWN BY: CHALL	DATE OF DATE: 4/9/2023		
		LAST REVISED BY: HESSEX	LAST REVISED DATE: 3/14/2023	TITLE: LAYOUT, 15'X30' OVAL, HSSH27996, 1-AQUA GENIE, 850 SERIES	
		MATERIAL:		PART NUMBER: 00041762	SCALE: 1/16