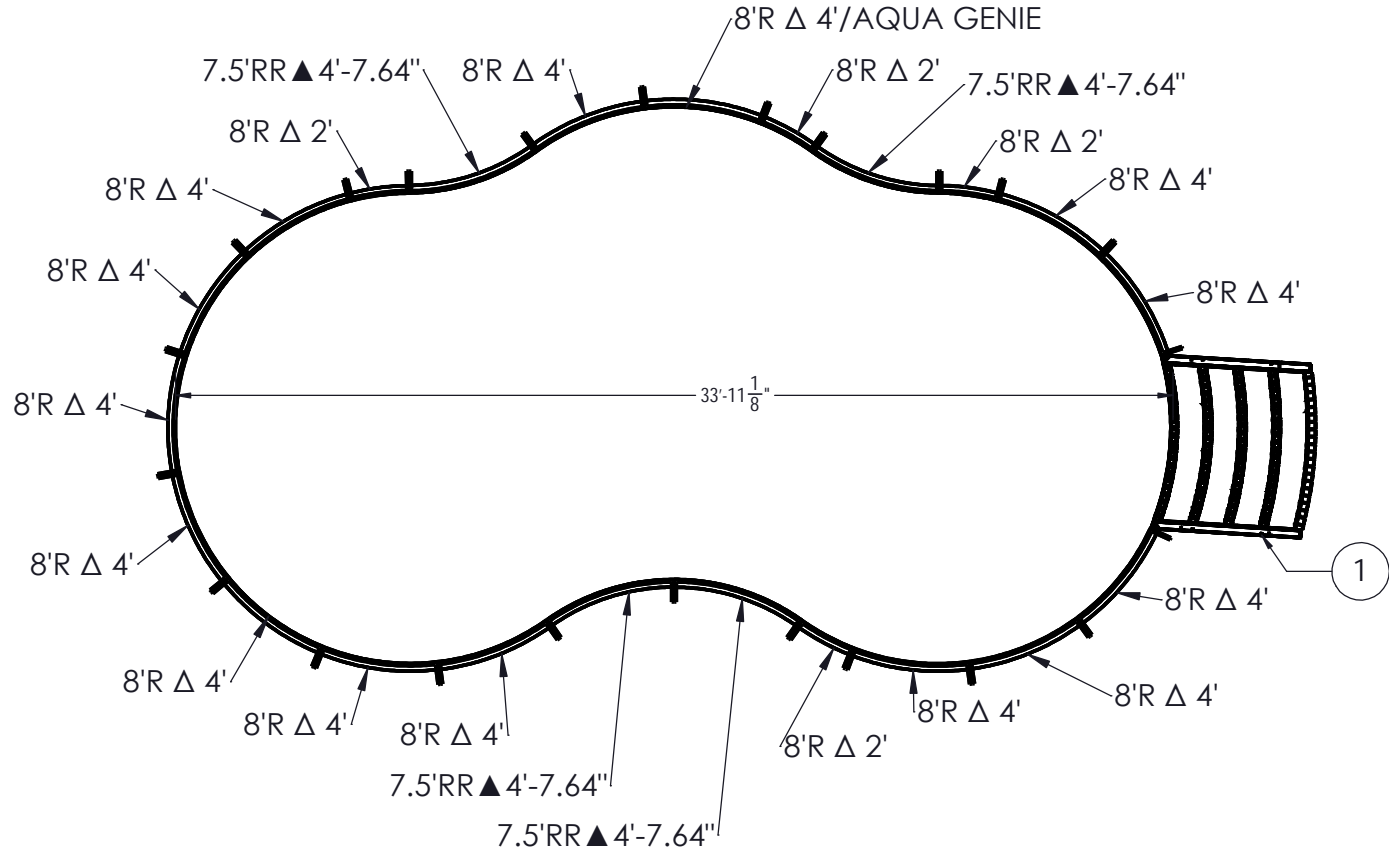
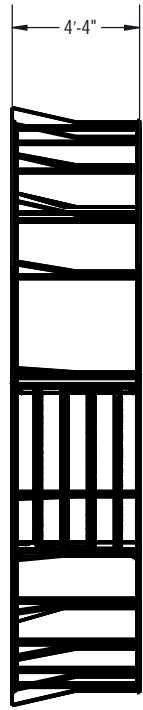


REVISION HISTORY				
REV	DESCRIPTION	DATE	ECO	BY
A	RELEASED FOR PRODUCTION	2/24/2023		RMILLER
B	ADDED STEP DWG SHEET	2/24/2023		RMILLER
C	UPDATED PER TICKET #385307	12/14/2022		JESSEX
D	ADDED DIG NOTES	3/5/2023		JESSEX



NOTES:

- THESE ARE FINISHED DIMENSIONS READY FOR THE LINER.
- DIMENSIONS ARE FROM INSIDE POOL PANELS.
- ROPE AND FLOAT ASSEMBLY SHOULD BE INSTALLED IN ACCORDANCE WITH CURRENT ANSI/ASPS/ICC REGULATIONS
- HYDRA LINER TRACK FOR STEPS IS INSTALLED WITH THE BARB FACING THE RISER WALL ON THE STEP.

EXCAVATION NOTES:

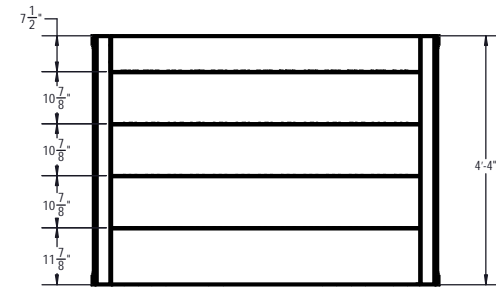
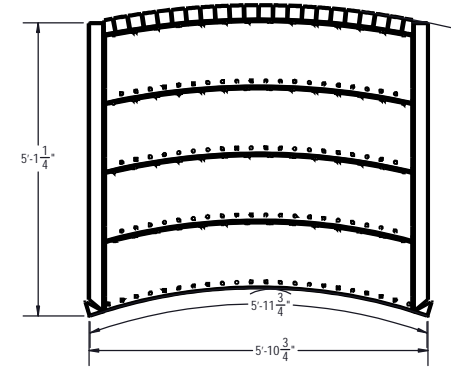
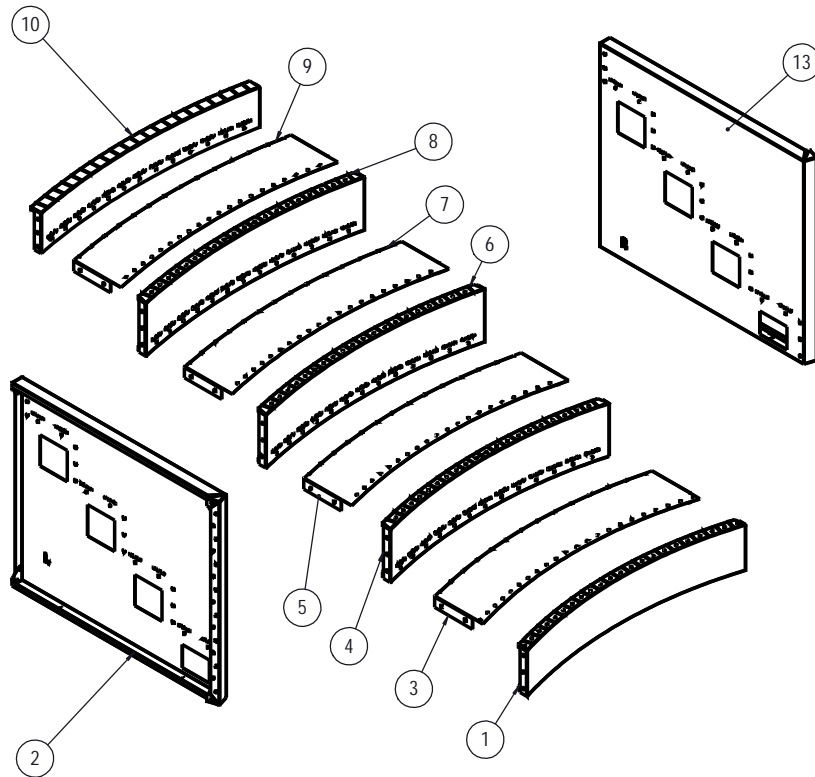
- ROUGH EXCAVATION SHOULD BE 2" DEEPER IN EACH INSTANCE.
- SOIL TO HAVE MINIMUM BEARING CAPACITY OF 1500 PSF.
- LOCATE TOP OF POOL AT LEAST 6" ABOVE THE SURROUNDING LAND ELEVATION.
- SEE "OVER DIG DETAIL", IN INSTALLATION MANUAL, FOR EXCAVATION AROUND POOL.
- FILL VOIDS UNDER BASE OF PANELS AND TAMP WELL.
- BACK FILL WITH NON-EXPANSIVE MATERIAL.
- FOLLOW ALL CURRENT ANSI / APSP / ICC GUIDELINES FOR RESIDENTIAL POOLS

IMPORTANT NOTES:

THIS DOCUMENT IS FOR ILLUSTRATIVE PURPOSES ONLY. THE DEALER OR CONTRACTOR WHO SELLS OR INSTALLS YOUR POOL IS AN INDEPENDENT CONTRACTOR AND IS NOT AN AGENT OF THE MANUFACTURER. THE CONSTRUCTION METHODS ILLUSTRATED HERE ARE SUGGESTIONS AND APPLY ONLY TO NORMAL GROUND CONDITIONS. THERE MAY BE ADDITIONAL PRECAUTIONS AND/OR METHODS OF CONSTRUCTION. PROPER INSTALLATION IS THE RESPONSIBILITY OF THE DEALER/BUILDER/CONTRACTOR.

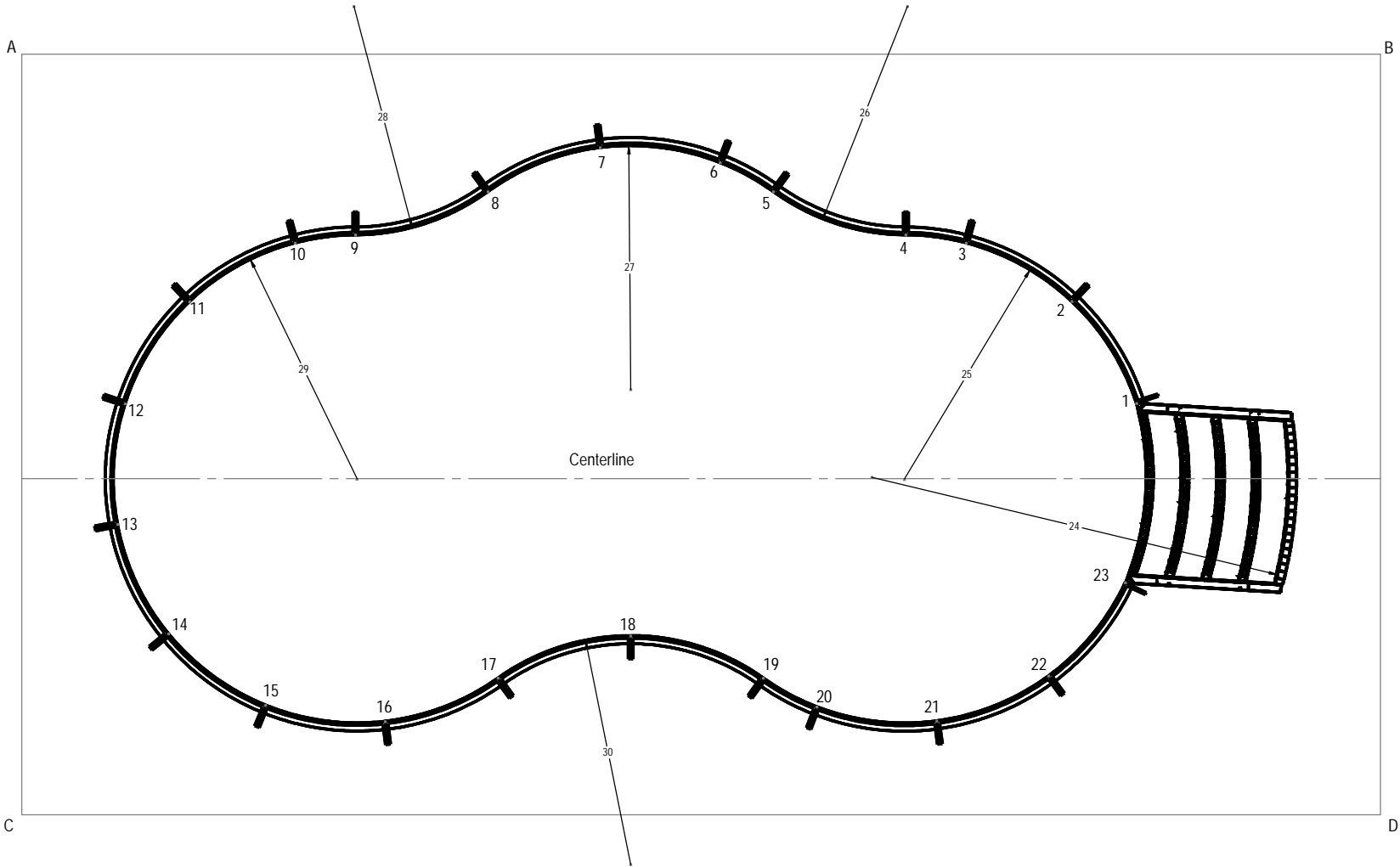
ITEM	FILE NAME	DESCRIPTION	CUSTOMER DRAWING #	VENDOR PART #	QTY.
1	00028304	ASSEMBLY, STEP, 52 IN WALL, 4 TREAD, 9FT RADIUS, 6' WIDE, 90° CORNER	HSSH28304	00028304	1
2	BOLT, PACK	BOLT, FLANGE, 3/8-16 X 1", PACK (50)	HPS1916	HPS1916	9
3	52IN, BRACE	BRACE, BUTTRESS, 52" 850 SERIES	HPSHTRIBRC	00025945	23
4	52IN PANEL, RR	PANEL, 7.5' REVERSE RADIUS, 4'-7.64" LONG, 850 SERIES	HPSH76RR476	00027950	4
5	52 IN PANEL, RADIUS	PANEL, 8' RADIUS, 2' LONG, 850 SERIES	HPSH8R2	00027949	4
6	52 IN PANEL, RADIUS	PANEL, 8' RADIUS, 4' LONG, 850 SERIES	HPSH8R4	00027948	13
7	52 IN PANEL, RADIUS	PANEL, 8' RADIUS, 4' LONG, AQUA GENIE, 850 SERIES	HPSH8R4AG	00046578	1
8	STAKE	STAKE, 14 GA	HPSSTAKE	00003484	23

ENGINEERING DRAWING NUMBER: 00041378	WEIGHT: lbs	UNLESS OTHERWISE SPECIFIED DIMENSIONS ARE IN INCHES TOLERANCES DECIMALS: X ± .1 XX ± .01 XXX ± .001 XXXX ± .0005 ANGULAR: X ± 0.5 THIRD ANGLE PROJECTION	DESIGNED BY: RMILLER	CREATION DATE: 10/25/2019	SAMSON STEEL
	VOLUME: Inch ³		DETAILED BY: RMILLER	DETAILED DATE: 6/7/2023	
	COLOR:		LAST REVISED BY: Jessex	LAST REVISED DATE: 3/21/2023	
	HEAT TREAT:		MATERIAL:		
FINISH:					TITLE: LAYOUT, 16'X34', LAGOON, HPSH28304, 1- AQUA GENIE, 850 SERIES
TEXTURE:					PART NUMBER: 00041378
					SCALE: 1:128 SHEET: 1 OF 5
					SIZE: A



ITEM	FILE NAME	DESCRIPTION	CUSTOMER DRAWING #	VENDOR PART #	QTY
1	00028303	RISER, 9FT RADIUS STEP, 52 IN, "D"		00028303	1
2	00028294	ASSEMBLY, PANEL, RADIUS STEP, 52 IN WALL, 4 TREAD, LEFT SIDE		00028294	1
3	00028298	TREAD, 9FT RADIUS STEP, 52 IN, BOTTOM "D"	00028298	00028298	1
4	00028302	RISER, 9FT RADIUS STEP, 52 IN, "C"	00028302	00028302	1
5	00028297	TREAD, 9FT RADIUS STEP, 52 IN, MIDDLE "C"	00028297	00028297	1
6	00028301	RISER, 9FT RADIUS STEP, 52 IN, "B"	00028301	00028301	1
7	00028296	TREAD, 9FT RADIUS STEP, 52 IN, MIDDLE "B"	00028296	00028296	1
8	00028300	RISER, 9FT RADIUS STEP, 52 IN, "A"	00028300	00028300	1
9	00028295	TREAD, 9FT RADIUS STEP, 52 IN, TOP "A"	00028295	00028295	1
10	00028299	RISER, 9FT RADIUS STEP, 52 IN, TOP BACK	00028299	00028299	1
11		BOLT, PACK	HPS1916	HPS1916	3
12	FHSCS 0.375-16x1x1-HX-N				100
13	00028293	ASSEMBLY, PANEL, RADIUS STEP, 52 IN WALL, 4 TREAD, RIGHT SIDE	00028293	00028293	1

PART NUMBER: 00028304	UNLESS OTHERWISE SPECIFIED DIMENSIONS ARE IN INCHES TOLERANCES: DECIMALS: X ± .1 XX ± .01 XXX ± .001 XXXX ± .0005 FINISH: ANGIULAR: X ± 0.5 THIRD ANGLE PROJECTION	DESIGNED BY: BFOUTZ ESTABLISHED BY: RMILLER LAST REVISED BY: HESSEX MATERIAL: G-235,14 GA	CREATION DATE: 11/11/2019 ESTABLISHED DATE: 6/7/2023 LAST REVISED DATE: 3/6/2023	SAMSON STEEL TITLE: ASSEMBLY, STEP, 52 IN WALL, 4 TREAD, 9FT RADIUS, 6" WIDE, 90° CORNER
	PART NUMBER: HSSH28304			SCALE: 1/50
				SHEET: 2 OF 5
				B



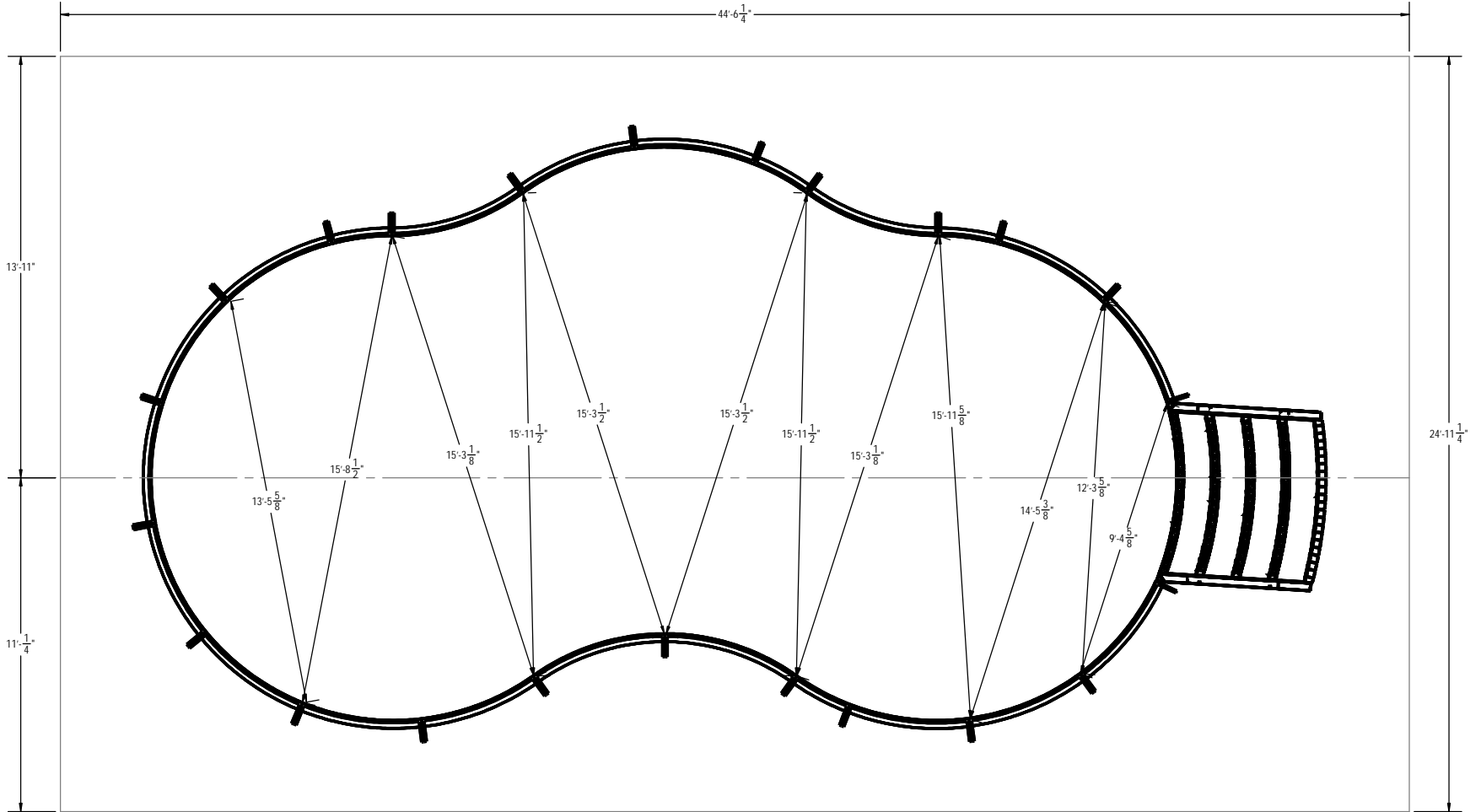
PART NUMBER 00041378	WEIGHT:	UNLESS OTHERWISE SPECIFIED DIMENSIONS ARE IN INCHES TOLERANCES DECIMALS: X ± .1 XX ± .01 XXX ± .001 XXXX ± .0005 ANGLULAR: X ± 0.5 THIRD ANGLE PROJECTION 	DESIGNED BY:	CREATOR DATE:	SAMSON STEEL TITLE: LAYOUT, 16'X34', LAGOON, HPSH28304, 1- AQUA GENIE, 850 SERIES	
	lbs		RWILLER	10/25/2019		
	VOLUME:		ESTIMATED BY:	6/7/2023		
	inch		LAST REVISED BY:	3/21/2023		
	COLOR:		WESSEX			
HEAT TREAT:	MATERIAL:			PART NUMBER:	SCALE:	SIZE:
FINISH:				00041378	1:50	B
TEXTURE:					3 OF 5	

Diagonal	11 to 18	18 to 25	25 to 32	32 to 39	39 to 46	46 to 53	53 to 60	60 to 67	67 to 74	74 to 81	81 to 88	88 to 95	95 to 102	102 to 109	109 to 116	116 to 123	123 to 130	130 to 137	137 to 144	144 to 151	151 to 158	158 to 165	165 to 172	172 to 179	179 to 186	186 to 193	193 to 200	200 to 207	207 to 214	214 to 221	221 to 228	228 to 235	235 to 242	242 to 249	249 to 256	256 to 263	263 to 270	270 to 277	277 to 284	284 to 291	291 to 298	298 to 305	305 to 312	312 to 319	319 to 326	326 to 333	333 to 340	340 to 347	347 to 354	354 to 361	361 to 368	368 to 375	375 to 382	382 to 389	389 to 396	396 to 403	403 to 410	410 to 417	417 to 424	424 to 431	431 to 438	438 to 445	445 to 452	452 to 459	459 to 466	466 to 473	473 to 480	480 to 487	487 to 494	494 to 501	501 to 508	508 to 515	515 to 522	522 to 529	529 to 536	536 to 543	543 to 550	550 to 557	557 to 564	564 to 571	571 to 578	578 to 585	585 to 592	592 to 599	599 to 606	606 to 613	613 to 620	620 to 627	627 to 634	634 to 641	641 to 648	648 to 655	655 to 662	662 to 669	669 to 676	676 to 683	683 to 690	690 to 697	697 to 704	704 to 711	711 to 718	718 to 725	725 to 732	732 to 739	739 to 746	746 to 753	753 to 760	760 to 767	767 to 774	774 to 781	781 to 788	788 to 795	795 to 802	802 to 809	809 to 816	816 to 823	823 to 830	830 to 837	837 to 844	844 to 851	851 to 858	858 to 865	865 to 872	872 to 879	879 to 886	886 to 893	893 to 900	900 to 907	907 to 914	914 to 921	921 to 928	928 to 935	935 to 942	942 to 949	949 to 956	956 to 963	963 to 970	970 to 977	977 to 984	984 to 991	991 to 998
11 to 18	18 to 25	25 to 32	32 to 39	39 to 46	46 to 53	53 to 60	60 to 67	67 to 74	74 to 81	81 to 88	88 to 95	95 to 102	102 to 109	109 to 116	116 to 123	123 to 130	130 to 137	137 to 144	144 to 151	151 to 158	158 to 165	165 to 172	172 to 179	179 to 186	186 to 193	193 to 200	200 to 207	207 to 214	214 to 221	221 to 228	228 to 235	235 to 242	242 to 249	249 to 256	256 to 263	263 to 270	270 to 277	277 to 284	284 to 291	291 to 298	298 to 305	305 to 312	312 to 319	319 to 326	326 to 333	333 to 340	340 to 347	347 to 354	354 to 361	361 to 368	368 to 375	375 to 382	382 to 389	389 to 396	396 to 403	403 to 410	410 to 417	417 to 424	424 to 431	431 to 438	438 to 445	445 to 452	452 to 459	459 to 466	466 to 473	473 to 480	480 to 487	487 to 494	494 to 501	501 to 508	508 to 515	515 to 522	522 to 529	529 to 536	536 to 543	543 to 550	550 to 557	557 to 564	564 to 571	571 to 578	578 to 585	585 to 592	592 to 599	599 to 606	606 to 613	613 to 620	620 to 627	627 to 634	634 to 641	641 to 648	648 to 655	655 to 662	662 to 669	669 to 676	676 to 683	683 to 690	690 to 697	697 to 704	704 to 711	711 to 718	718 to 725	725 to 732	732 to 739	739 to 746	746 to 753	753 to 760	760 to 767	767 to 774	774 to 781	781 to 788	788 to 795	795 to 802	802 to 809	809 to 816	816 to 823	823 to 830	830 to 837	837 to 844	844 to 851	851 to 858	858 to 865	865 to 872	872 to 879	879 to 886	886 to 893	893 to 900	900 to 907	907 to 914	914 to 921	921 to 928	928 to 935	935 to 942	942 to 949	949 to 956	956 to 963	963 to 970	970 to 977	977 to 984	984 to 991	991 to 998	

Centerline
1
2
3
4
5
6
7
8
9
10
11
12
13
14
15
16
17
18
19
20
21
22
23
24
25
26
27
28
29
30

A	B	C	D
1	38 3/16"	13 1/8"	38 1/16"
2	38 3/16"	12 1/16"	38 3/16"
3	38 3/16"	14 1/8"	38 3/16"
4	38 3/16"	16 3/4"	38 3/16"
5	38 3/16"	20 4/16"	38 3/16"
6	38 3/16"	21 1/8"	38 3/16"
7	38 3/16"	25 1/8"	38 3/16"
8	38 3/16"	29 1/8"	38 3/16"
9	38 3/16"	34 1/4"	38 3/16"
10	38 3/16"	36 1/4"	38 3/16"
11	38 3/16"	40 3/8"	38 3/16"
12	38 3/16"	42 8/16"	38 3/16"
13	38 3/16"	44 7/8"	38 3/16"
14	38 3/16"	48 3/8"	38 3/16"
15	38 3/16"	52 3/8"	38 3/16"
16	38 3/16"	59 3/4"	38 3/16"
17	38 3/16"	65 1/2"	38 3/16"
18	38 3/16"	71 1/2"	38 3/16"
19	38 3/16"	77 1/2"	38 3/16"
20	38 3/16"	83 1/2"	38 3/16"
21	38 3/16"	89 3/4"	38 3/16"
22	38 3/16"	95 3/4"	38 3/16"
23	38 3/16"	101 3/4"	38 3/16"
24	38 3/16"	107 3/4"	38 3/16"
25	38 3/16"	113 3/4"	38 3/16"
26	38 3/16"	119 3/4"	38 3/16"
27	38 3/16"	125 3/4"	38 3/16"
28	38 3/16"	131 3/4"	38 3/16"
29	38 3/16"	137 3/4"	38 3/16"
30	38 3/16"	143 3/4"	38 3/16"

PART NUMBER: 00041378	WEIGHT: Lbs. VOLUME: Inch ³	UNLESS OTHERWISE SPECIFIED DIMENSIONS ARE IN INCHES TOLERANCES DECIMALS: X + .01 XX + .01 XXX + .001 XXXX + .0005	DESIGNED BY: RMILLER DATE: 10/25/2019	CREATED DATE: 10/25/2019	SAMSON STEEL TITLE: LAYOUT, 16'X34', LAGOON, HPSH28304, 1- AQUA GENIE, 850 SERIES	
	COLOR: HEAT TREAT: FINISH: TEXTURE:	ANGULAR: X ± 0.5 THIRD ANGLE PROJECTION	ESTIMATED DATE: 6/7/2023	LAST REVISION BY: HSSSEX MATERIAL:		LAST REVISION DATE: 3/21/2023
	PART NUMBER: 00041378					SCALE: 1:50
						SHEET: 4 OF 5



PART NUMBER 00041378	WEIGHT:	UNLESS OTHERWISE SPECIFIED DIMENSIONS ARE IN INCHES TOLERANCES DECIMALS: X ± .1 XX ± .01 XXX ± .001 XXXX ± .0005 ANGULAR: X ± 0.5 THIRD ANGLE PROJECTION ⊙ ▢	DESIGNED BY:	CREATION DATE:	SAMSON STEEL
	VOLUME:		RWILLER	10/25/2019	
	INCH:				
	COLOR:				
	HEAT TREAT:				
FINISH:			ESTABLISHED BY:	ESTABLISHED DATE:	TITLE: LAYOUT, 16'X34', LAGOON, HPSH28304, 1- AQUA GENIE, 850 SERIES
TEXTURE:			RWILLER	6/7/2023	
			LAST REVISED BY:	LAST REVISED DATE:	
			WESSEX	3/21/2023	PART NUMBER:
			MATERIAL:		00041378
					SCALE:
					1:50
					SHEET:
					5 OF 5
					B