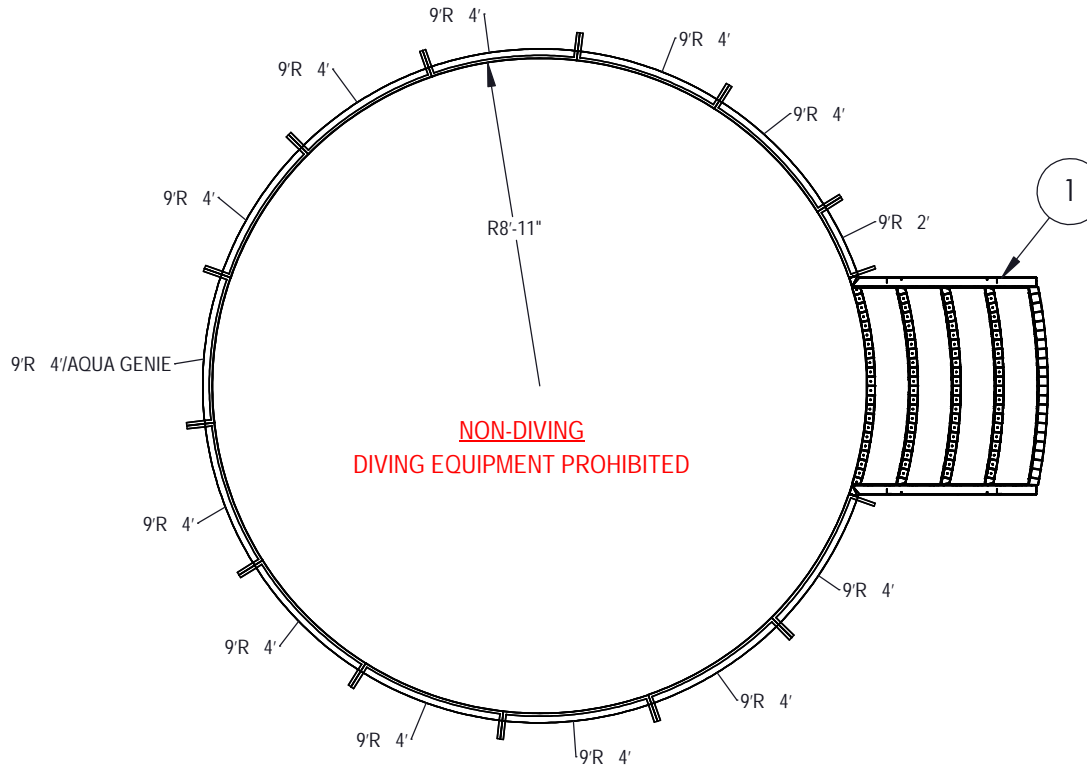


REVISION HISTORY				
REV	DESCRIPTION	DATE	ECO	BY
A	RELEASED FOR QUOTE	3/17/2022		OFRIAUF
B	UPDATED PANELS	3/29/2022		SMILLER
C	ADDED LINER	12/13/2022		MROGERS
D	UPDATED PER TICKET #205381	12/14/2022		JESSE K
E	UPDATED PER TICKET #312690	3/18/2023		MROGERS



NOTES:

- THESE ARE FINISHED DIMENSIONS READY FOR THE LINER.
- DIMENSIONS ARE FROM INSIDE POOL PANELS.
- ROPE AND FLOAT ASSEMBLY SHOULD BE INSTALLED IN ACCORDANCE WITH CURRENT ANSI/ASPS/ICC REGULATIONS
- HYDRA LINER TRACK FOR STEPS IS INSTALLED WITH THE BARB FACING THE RISER WALL ON THE STEP.

EXCAVATION NOTES:

- ROUGH EXCAVATION SHOULD BE 2" DEEPER IN EACH INSTANCE.
- SOIL TO HAVE MINIMUM BEARING CAPACITY OF 1500 PSF.
- LOCATE TOP OF POOL AT LEAST 6" ABOVE THE SURROUNDING LAND ELEVATION.
- SEE "OVER DIG DETAIL", IN INSTALLATION MANUAL, FOR EXCAVATION AROUND POOL.
- FILL VOIDS UNDER BASE OF PANELS AND TAMP WELL.
- BACK FILL WITH NON-EXPANSIVE MATERIAL.
- FOLLOW ALL CURRENT ANSI / APSP / ICC GUIDELINES FOR RESIDENTIAL POOLS

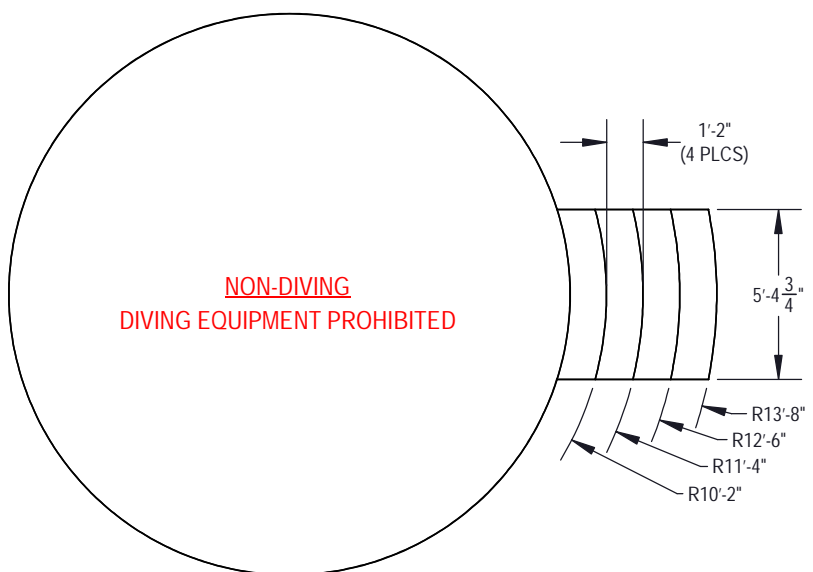
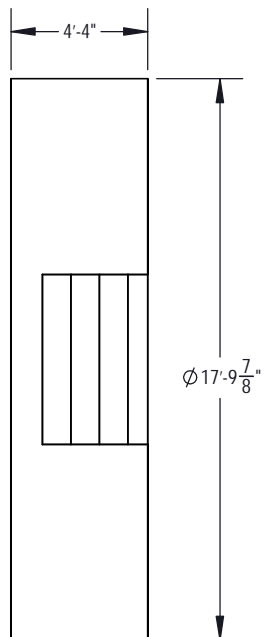
IMPORTANT NOTES:

THIS DOCUMENT IS FOR ILLUSTRATIVE PURPOSES ONLY. THE DEALER OR CONTRACTOR WHO SELLS OR INSTALLS YOUR POOL IS AN INDEPENDENT CONTRACTOR AND IS NOT AN AGENT OF THE MANUFACTURER. THE CONSTRUCTION METHODS ILLUSTRATED HERE ARE SUGGESTIONS AND APPLY ONLY TO NORMAL GROUND CONDITIONS. THERE MAY BE ADDITIONAL PRECAUTIONS AND/OR METHODS OF CONSTRUCTION. PROPER INSTALLATION IS THE RESPONSIBILITY OF THE DEALER/BUILDER/CONTRACTOR.

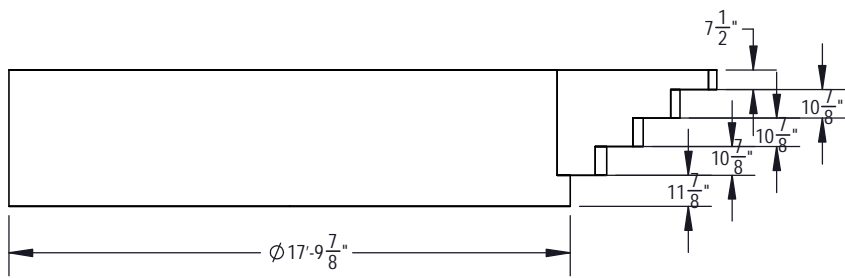
ITEM	FILE NAME	DESCRIPTION	CUSTOMER DRAWING #	VENDOR PART #	QTY.
1	00028304	ASSEMBLY, STEP, 52 IN WALL, 4 TREAD, 9FT RADIUS, 6" WIDE, 90° CORNER	HSSH28304	00028304	1
2	BOLT, PACK	BOLT, FLANGE, 3/8-16 X 1", PACK (50)	HPS1916	HPS1916	7
3	52IN, BRACE	BRACE, BUTTRESS, 52", 850 SERIES	HPSHTRBRC	00025945	14
4	52 IN PANEL, RADIUS	PANEL, 9' RADIUS, 2' LONG, 850 SERIES	HPSH9R2	00027707	1
5	52 IN PANEL, RADIUS	PANEL, 9' RADIUS, 4' LONG, 850 SERIES	HPSH9R4	00027689	11
6	52 IN PANEL, RADIUS	PANEL, 9' RADIUS, 4' LONG, AQUA GENIE, 850 SERIES	HPSH9R4AG	00046579	1
7	STAKE	STAKE, 14 GA	HPSSTAKE	00003484	14

ENGINEERING DRAWING NUMBER: 00041780	WEIGHT: lbs	UNLESS OTHERWISE SPECIFIED DIMENSIONS ARE IN INCHES TOLERANCES DECIMALS: X ± .1 XX ± .01 XXX ± .001 XXXX ± .0005 ANGULAR: X ± 0.5 THIRD ANGLE PROJECTION	DESIGNED BY: OFRIAUF	CREATION DATE: 10/10/2019	HYDRA POOLS
	VOLUME: Inch ³		DETAILED BY: OFRIAUF	DETAILED DATE: 3/18/2023	
	COLOR:		LAST REVISED BY: mrogers	LAST REVISED DATE: 3/18/2023	
	HEAT TREAT:		MATERIAL:		
FINISH:					TITLE: LAYOUT, 4'4" X 18' ROUND, FLAT BOTTOM, HSSH28304, 1-AQUA GENIE, 850 SERIES
TEXTURE:					PART NUMBER: 00041780
					SCALE: 1:100 SHEET: 1 OF 4
					SIZE: A

DRAWING NUMBER: 00041780
CHECK IN DATE/TIME: Saturday, March 18, 2023 9:30:55 AM



AREA	PERIMETER	VOLUME
SQ. FT.	FT.	U.S. GALLONS
279.89	66.11	8625.66



NOTES:

- THESE ARE FINISHED DIMENSIONS READY FOR THE LINER.
- DIMENSIONS ARE FROM INSIDE POOL PANELS.
- ROPE AND FLOAT ASSEMBLY SHOULD BE INSTALLED IN ACCORDANCE WITH CURRENT ANSI/ASPS/ICC REGULATIONS
- HYDRA LINER TRACK FOR STEPS IS INSTALLED WITH THE BARB FACING THE RISER WALL ON THE STEP.

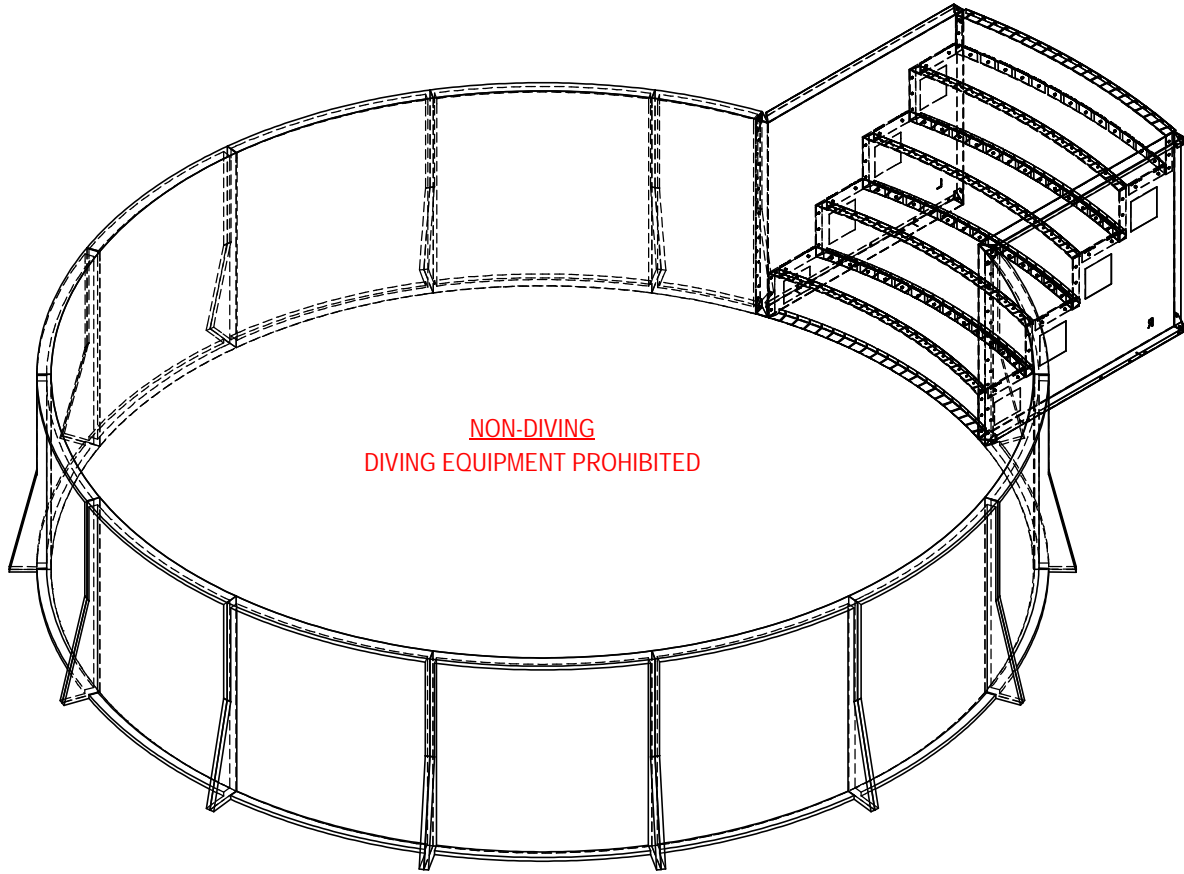
EXCAVATION NOTES:

- ROUGH EXCAVATION SHOULD BE 2" DEEPER IN EACH INSTANCE.
- SOIL TO HAVE MINIMUM BEARING CAPACITY OF 1500 PSF.
- LOCATE TOP OF POOL AT LEAST 6" ABOVE THE SURROUNDING LAND ELEVATION.
- SEE "OVER DIG DETAIL", IN INSTALLATION MANUAL, FOR EXCAVATION AROUND POOL.
- FILL VOIDS UNDER BASE OF PANELS AND TAMP WELL.
- BACK FILL WITH NON-EXPANSIVE MATERIAL.
- FOLLOW ALL CURRENT ANSI / APSP / ICC GUIDELINES FOR RESIDENTIAL POOLS

IMPORTANT NOTES:

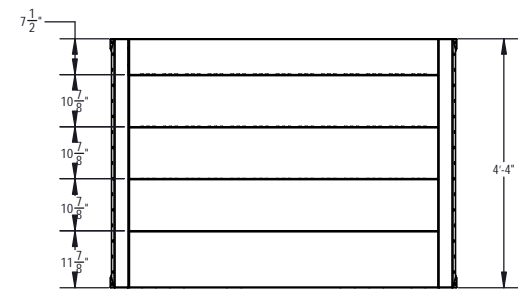
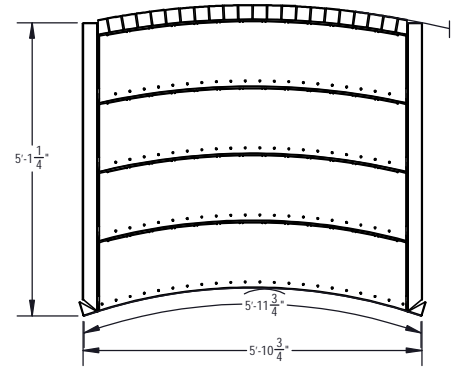
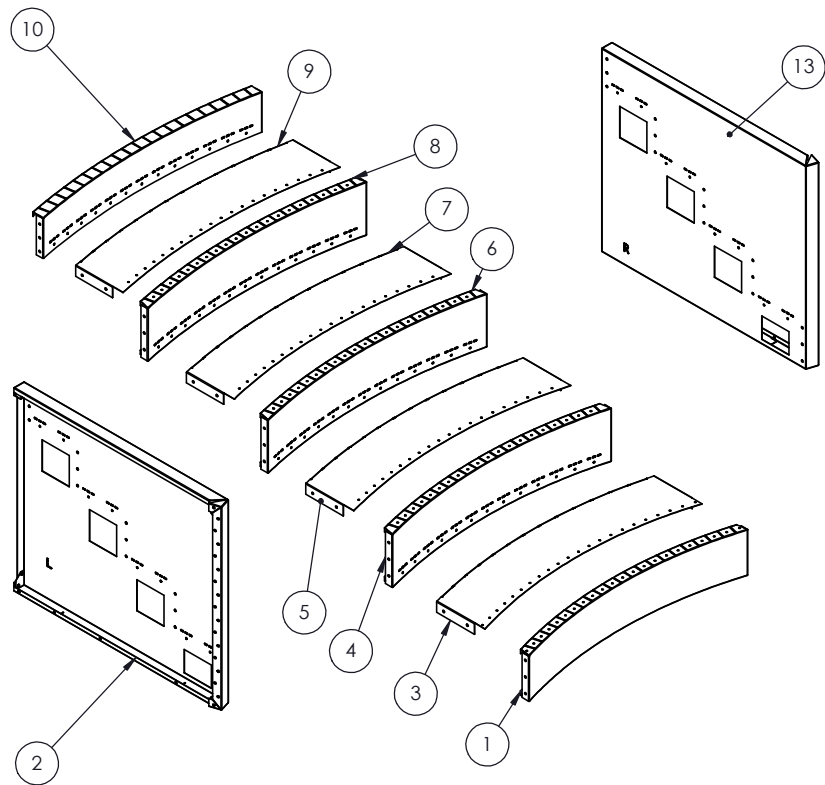
THIS DOCUMENT IS FOR ILLUSTRATIVE PURPOSES ONLY. THE DEALER OR CONTRACTOR WHO SELLS OR INSTALLS YOUR POOL IS AN INDEPENDENT CONTRACTOR AND IS NOT AN AGENT OF THE MANUFACTURER. THE CONSTRUCTION METHODS ILLUSTRATED HERE ARE SUGGESTIONS AND APPLY ONLY TO NORMAL GROUND CONDITIONS. THERE MAY BE ADDITIONAL PRECAUTIONS AND/OR METHODS OF CONSTRUCTION. PROPER INSTALLATION IS THE RESPONSIBILITY OF THE DEALER/BUILDER/CONTRACTOR.

ENGINEERING DRAWING NUMBER: 00041780	WEIGHT: lbs	UNLESS OTHERWISE SPECIFIED DIMENSIONS ARE IN INCHES TOLERANCES DECIMALS: X ± .1 XX ± .01 XXX ± .001 XXXX ± .0005 ANGULAR: X ± 0.5 THIRD ANGLE PROJECTION 	DESIGNED BY: OFRIAUF	CREATION DATE: 10/10/2019	HYDRA POOLS	
	VOLUME: Inch ³		DETAILED BY: OFRIAUF	DETAILED DATE: 3/18/2023		
	COLOR:		LAST REVISED BY: mrogers	LAST REVISED DATE: 3/18/2023	TITLE: LAYOUT, 4'4" X 18' ROUND, FLAT BOTTOM, HSSH28304, 1-AQUA GENIE, 850 SERIES	
	HEAT TREAT:		MATERIAL:			
FINISH:	SIZE: A	SHEET: 2 OF 4	SCALE: 1:100	PART NUMBER: 00041780		
TEXTURE:			REV	E		



NON-DIVING
DIVING EQUIPMENT PROHIBITED

ENGINEERING DRAWING NUMBER: 00041780	WEIGHT:	UNLESS OTHERWISE SPECIFIED DIMENSIONS ARE IN INCHES TOLERANCES DECIMALS: X ± .1 XX ± .01 XXX ± .001 XXXX ± .0005 ANGULAR: X ± 0.5 THIRD ANGLE PROJECTION 	DESIGNED BY:	CREATION DATE:	HYDRA POOLS		
	lbs		OFRIAUF	10/10/2019			
	VOLUME:		DETAILED BY:	DETAILED DATE:	TITLE: LAYOUT, 4'4" X 18' ROUND, FLAT BOTTOM, HSSH28304, 1-AQUA GENIE, 850 SERIES		
	Inch ³		OFRIAUF	3/18/2023			
COLOR:	LAST REVISED BY:	LAST REVISED DATE:	MATERIAL:	PART NUMBER: 00041780			
HEAT TREAT:	mrogers	3/18/2023	SCALE:				SHEET:
FINISH:	THIRD ANGLE PROJECTION		A	3 OF 4	1:100		
TEXTURE:							



ITEM	FILE NAME	DESCRIPTION	CUSTOMER DRAWING #	VENDOR PART #	QTY
1	00028303	RISER, 9FT RADIUS STEP, 52 IN, "D"		00028303	1
2	00028294	ASSEMBLY, PANEL, RADIUS STEP, 52 IN WALL, 4 TREAD, LEFT SIDE		00028294	1
3	00028298	TREAD, 9FT RADIUS STEP, 52 IN, BOTTOM "D"		00028298	1
4	00028302	RISER, 9FT RADIUS STEP, 52 IN, "C"		00028302	1
5	00028297	TREAD, 9FT RADIUS STEP, 52 IN, MIDDLE "C"		00028297	1
6	00028301	RISER, 9FT RADIUS STEP, 52 IN, "B"		00028301	1
7	00028296	TREAD, 9FT RADIUS STEP, 52 IN, MIDDLE "B"		00028296	1
8	00028300	RISER, 9FT RADIUS STEP, 52 IN, "A"		00028300	1
9	00028295	TREAD, 9FT RADIUS STEP, 52 IN, TOP "A"		00028295	1
10	00028299	RISER, 9FT RADIUS STEP, 52 IN, TOP BACK		00028299	1
11		BOLT, PACK		HPS1916	3
12	FHSCS, 0.375-16x1-HX-N	ASSEMBLY, PANEL, RADIUS STEP, 52 IN WALL, 4 TREAD, RIGHT SIDE		00028293	100
13	00028293			00028293	1

PART NUMBER: 00041780	WEIGHT: Lbs: Volume: Inch ³ :	UNLESS OTHERWISE SPECIFIED DIMENSIONS ARE IN INCHES TOLERANCES: DECIMALS: X ± .1 XX ± .01 XXX ± .001 XXXX ± .0005 FINISH: TEXTURE:	DESIGNED BY: OFRIAUF ESTABLISHED DATE: 3/18/2023 LAST REVISED BY: mfrogers LAST REVISED DATE: 3/18/2023 MATERIAL:	CREATOR DATE: 10/10/2019 RETAILED DATE: 3/18/2023 TITLE: LAYOUT, 4'4" X 18" ROUND, FLAT BOTTOM, HSSH28304, 1'-AQUA GENIE, 850 SERIES	HYDRA POOLS
	ANGLUAR: X ± 0.5 THIRD ANGLE PROJECTION 	PART NUMBER: 00041780	SCALE: 1/50 SHEET: 4 OF 4	B	