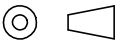


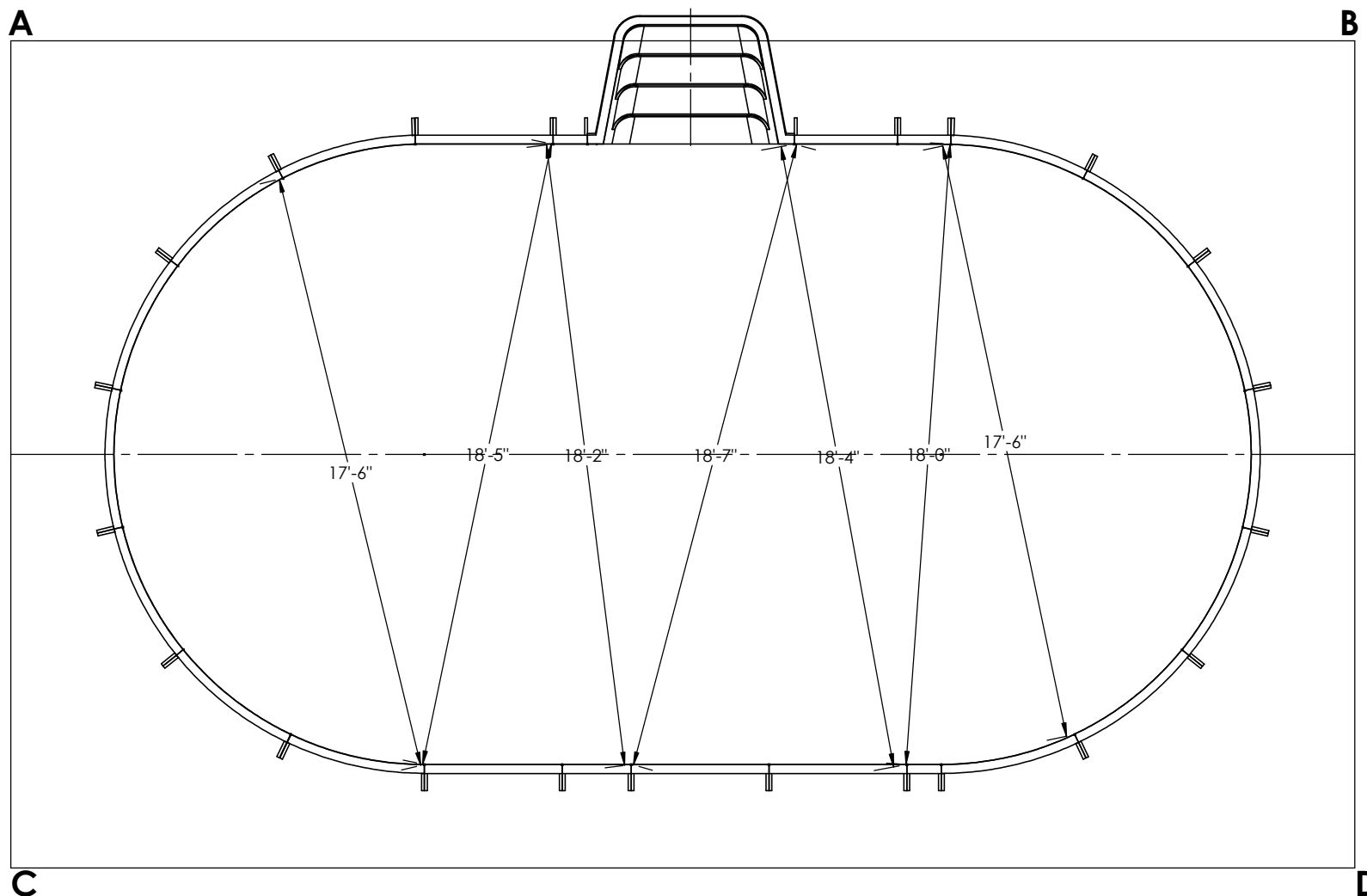
ENGINEERING DRAWING NUMBER: 00050316	WEIGHT:	UNLESS OTHERWISE SPECIFIED DIMENSIONS ARE IN INCHES TOLERANCES DECIMALS: X ± .1 XX ± .01 XXX ± .001 XXXX ± .0005 ANGULAR: X ± 0.5 THIRD ANGLE PROJECTION 	DESIGNED BY:	CREATION DATE:	SAMSON STEEL			
	VOLUME:		MWILLIAMS	10/10/19				
	COLOR:		MWILLIAMS	05/09/23				
	HEAT TREAT:		mwilliams	05/09/23	TITLE:	LAYOUT, 18' X 33', OVAL, HS510N, 1- AQUA GENIE, 850 SERIES		
	FINISH:		MATERIAL:					
TEXTURE:			SIZE:	SHEET:	SCALE:	PART NUMBER:	REV	
			A	2 OF 4	1:100	00050316	A	

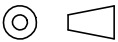
Diagonal	8 to 9	3' 12"	12 to 17	16' 4"	15 to 17	7' 9"	18 to 26	9' 1"	23 to 25	16' 6"	
1 to 2	1' 1"	10 to 2	18' 5"	12 to 18	19' 1"	15 to 18	11' 2"	19 to 2	21' 4"	23 to 26	9' 2"
1 to 3	5' 1"	10 to 3	18' 1"	12 to 19	20' 11"	15 to 19	13' 12"	19 to 3	25' 2"	24 to 3	10' 12"
1 to 4	8' 11"	10 to 4	17' 6"	12 to 20	21' 9"	15 to 20	16' 2"	19 to 4	28' 8"	24 to 4	14' 11"
1 to 5	12' 5"	10 to 5	16' 2"	12 to 21	21' 6"	15 to 21	17' 6"	19 to 5	31' 3"	24 to 5	18' 3"
1 to 6	15' 4"	10 to 6	13' 12"	12 to 22	20' 3"	15 to 22	17' 12"	19 to 6	32' 8"	24 to 6	20' 10"
1 to 7	17' 6"	10 to 7	11' 2"	12 to 23	19' 8"	15 to 23	18' 1"	19 to 7	32' 10"	24 to 7	22' 6"
1 to 8	18' 10"	10 to 8	7' 9"	12 to 24	18' 8"	15 to 24	18' 6"	19 to 8	31' 9"	24 to 8	23' 1"
1 to 9	19' 2"	10 to 9	3' 12"	12 to 25	10' 10"	15 to 25	17' 6"	19 to 9	29' 6"	24 to 9	22' 7"
1 to 10	18' 8"	10 to 11	4' 1"	12 to 26	12' 9"	15 to 26	9' 1"	19 to 10	3' 12"	24 to 10	14' 1"
1 to 11	18' 1"	10 to 12	6' 1"	13 to 2	19' 1"	16 to 2	22' 11"	19 to 11	7' 9"	24 to 11	9' 12"
1 to 12	18' 1"	10 to 13	10' 1"	13 to 3	20' 9"	16 to 3	25' 9"	19 to 12	11' 2"	25 to 3	9' 1"
1 to 13	18' 10"	10 to 14	14' 1"	13 to 4	22' 2"	16 to 4	28' 1"	19 to 13	12' 5"	25 to 4	9' 1"
1 to 14	20' 3"	10 to 15	15' 1"	13 to 5	22' 6"	16 to 5	29' 5"	19 to 14	14' 11"	25 to 5	9' 1"
1 to 15	20' 9"	10 to 16	18' 11"	13 to 6	21' 9"	16 to 6	29' 6"	19 to 15	23' 11"	25 to 6	9' 1"
1 to 16	22' 3"	10 to 17	22' 3"	13 to 7	19' 12"	16 to 7	28' 4"	19 to 16	9' 1"	25 to 7	9' 1"
1 to 17	22' 8"	10 to 18	24' 9"	13 to 8	17' 4"	16 to 8	25' 12"	20 to 3	22' 9"	25 to 8	9' 1"
1 to 18	22' 1"	10 to 19	26' 2"	13 to 9	13' 11"	16 to 9	22' 9"	20 to 4	26' 5"	25 to 9	9' 1"
1 to 19	20' 5"	10 to 20	26' 6"	13 to 14	4' 1"	16 to 17	3' 12"	20 to 5	29' 4"	25 to 10	15' 1"
1 to 20	17' 10"	10 to 21	25' 8"	13 to 15	5' 1"	16 to 18	7' 9"	20 to 6	31' 3"	26 to 3	17' 9"
1 to 21	14' 5"	10 to 22	23' 8"	13 to 16	8' 11"	16 to 19	11' 2"	20 to 7	31' 10"	26 to 4	20' 9"
1 to 22	10' 7"	10 to 23	22' 8"	13 to 17	12' 6"	16 to 20	13' 12"	20 to 8	31' 3"	26 to 5	22' 10"
1 to 23	8' 12"	10 to 24	20' 12"	13 to 18	15' 5"	16 to 21	16' 2"	20 to 9	29' 5"	26 to 6	23' 11"
1 to 24	5' 12"	10 to 25	9' 1"	13 to 19	17' 7"	16 to 22	17' 6"	20 to 10	3' 12"	26 to 7	23' 11"
1 to 25	10' 3"	10 to 26	17' 6"	13 to 20	18' 11"	16 to 23	17' 11"	20 to 11	7' 9"	26 to 8	22' 9"
1 to 26	13' 8"	11 to 2	18' 1"	13 to 21	19' 4"	16 to 24	18' 12"	20 to 12	9' 2"	26 to 9	20' 7"
2 to 3	4' 1"	11 to 3	18' 6"	13 to 22	18' 10"	16 to 25	20' 7"	20 to 13	11' 12"		
2 to 4	7' 11"	11 to 4	18' 11"	13 to 23	18' 5"	16 to 26	9' 1"	20 to 14	22' 10"		
2 to 5	11' 6"	11 to 5	18' 4"	13 to 24	18' 1"	17 to 2	23' 6"	20 to 15	9' 1"		
2 to 6	14' 6"	11 to 6	16' 10"	13 to 25	13' 6"	17 to 3	26' 8"	21 to 3	19' 5"		
2 to 7	16' 9"	11 to 7	14' 6"	13 to 26	10' 4"	17 to 4	29' 6"	21 to 4	23' 3"		
2 to 8	18' 3"	11 to 8	11' 8"	14 to 2	20' 9"	17 to 5	31' 3"	21 to 5	26' 5"		
2 to 9	18' 9"	11 to 9	7' 12"	14 to 3	22' 12"	17 to 6	31' 9"	21 to 6	28' 8"		
2 to 10	18' 10"	11 to 10	2' 1"	14 to 4	24' 11"	17 to 7	30' 12"	21 to 7	29' 8"		
2 to 11	15' 5"	11 to 11	6' 1"	14 to 5	25' 8"	17 to 8	28' 12"	21 to 8	29' 6"		
2 to 12	11' 7"	11 to 12	10' 1"	14 to 6	25' 4"	17 to 9	25' 12"	21 to 9	28' 2"		
2 to 13	9' 12"	11 to 13	11' 1"	14 to 7	23' 10"	17 to 10	3' 12"	21 to 10	3' 12"		
2 to 14	6' 12"	11 to 14	14' 11"	14 to 8	21' 4"	17 to 11	7' 9"	21 to 11	5' 6"		
2 to 15	9' 9"	11 to 15	18' 4"	14 to 9	17' 11"	17 to 12	11' 2"	21 to 12	8' 6"		
2 to 16	14' 6"	11 to 16	20' 11"	14 to 10	1' 1"	17 to 13	13' 12"	21 to 13	20' 9"		
3 to 4	3' 12"	11 to 17	22' 8"	14 to 11	4' 12"	17 to 14	16' 2"	21 to 14	9' 1"		
3 to 5	7' 9"	11 to 18	23' 3"	14 to 12	8' 8"	17 to 15	16' 11"	22 to 3	15' 7"		
3 to 6	11' 2"	11 to 19	22' 10"	14 to 13	11' 12"	17 to 16	18' 6"	22 to 4	19' 5"		
3 to 7	13' 12"	11 to 20	21' 3"	14 to 14	14' 8"	17 to 17	22' 9"	22 to 5	22' 9"		
3 to 8	16' 2"	11 to 21	20' 6"	14 to 15	16' 8"	17 to 18	9' 1"	22 to 6	25' 2"		
3 to 9	17' 6"	11 to 22	19' 3"	14 to 16	17' 10"	18 to 1	22' 11"	22 to 7	26' 6"		
4 to 5	3' 12"	11 to 23	9' 11"	14 to 17	18' 1"	18 to 2	26' 6"	22 to 8	26' 8"		
4 to 6	7' 9"	11 to 24	14' 3"	14 to 18	18' 1"	18 to 3	29' 8"	22 to 9	25' 9"		
4 to 7	11' 2"	12 to 2	18' 2"	14 to 19	18' 4"	18 to 4	31' 10"	22 to 10	1' 7"		
4 to 8	13' 12"	12 to 3	19' 1"	14 to 20	16' 8"	18 to 5	32' 10"	22 to 11	4' 7"		
4 to 9	16' 2"	12 to 4	19' 10"	14 to 21	9' 1"	18 to 6	32' 6"	22 to 12	17' 9"		
5 to 6	3' 12"	12 to 5	19' 7"	15 to 2	21' 3"	18 to 7	30' 12"	22 to 13	9' 1"		
5 to 7	7' 9"	12 to 6	18' 5"	15 to 3	23' 8"	18 to 8	28' 4"	23 to 3	13' 12"		
5 to 8	11' 2"	12 to 7	16' 4"	15 to 4	25' 7"	18 to 9	3' 12"	23 to 4	17' 11"		
5 to 9	13' 12"	12 to 8	13' 5"	15 to 5	26' 6"	18 to 10	7' 9"	23 to 5	21' 3"		
6 to 7	3' 12"	12 to 9	9' 12"	15 to 6	26' 2"	18 to 11	11' 2"	23 to 6	23' 8"		
6 to 8	7' 9"	12 to 10	4' 1"	15 to 7	24' 9"	18 to 12	13' 12"	23 to 7	25' 1"		
6 to 9	11' 2"	12 to 11	8' 1"	15 to 8	22' 3"	18 to 13	14' 12"	23 to 8	25' 5"		
7 to 8	3' 12"	12 to 12	9' 1"	15 to 9	18' 11"	18 to 14	17' 2"	23 to 9	24' 7"		
7 to 9	7' 9"	12 to 13	12' 11"	15 to 10	3' 12"	18 to 15	23' 11"	23 to 10	3' 1"		

	A	B	C	D
1	17' 1"	22' 6"	26' 11"	30' 8"
2	16' 1"	23' 6"	26' 3"	31' 5"
3	12' 2"	27' 6"	24' 1"	34' 5"
4	8' 11"	31' 5"	21' 7"	36' 12"
5	8' 2"	34' 10"	18' 2"	38' 5"
6	10' 8"	37' 3"	14' 3"	38' 5"
7	14' 6"	38' 6"	10' 5"	37' 2"
8	18' 5"	38' 4"	8' 1"	34' 7"
9	21' 9"	36' 11"	9' 1"	31' 2"
10	24' 3"	34' 3"	12' 5"	27' 2"
11	26' 5"	31' 2"	16' 4"	23' 3"
12	27' 8"	29' 9"	18' 3"	21' 3"
13	30' 5"	27' 1"	22' 3"	17' 4"
14	33' 6"	24' 9"	26' 3"	13' 5"
15	34' 3"	24' 3"	27' 2"	12' 5"
16	36' 11"	21' 9"	31' 2"	9' 1"
17	38' 4"	18' 5"	34' 7"	8' 1"
18	38' 6"	14' 6"	37' 2"	10' 5"
19	37' 3"	10' 8"	38' 5"	14' 3"
20	34' 10"	8' 2"	38' 5"	18' 2"
21	31' 5"	8' 11"	36' 12"	21' 7"
22	27' 6"	12' 2"	34' 6"	24' 1"
23	25' 11"	13' 8"	33' 3"	24' 11"
24	22' 12"	16' 7"	30' 12"	26' 7"
25	16' 12"	29' 7"	16' 12"	29' 7"
26	29' 7"	16' 12"	29' 7"	16' 12"
A	-	39' 1"	24' 1"	45' 11"

Centerline	
1	9' 1"
2	9' 1"
3	9' 1"
4	8' 1"
5	5' 6"
6	1' 11"
7	2' 2"
8	5' 8"
9	8' 2"
10	9' 1"
11	9' 1"
12	9' 1"
13	9' 1"
14	9' 1"
15	9' 1"
16	8' 2"
17	5' 9"
18	2' 2"
19	1' 11"
20	5' 6"
21	8' 1"
22	8' 12"
23	9' 1"
24	9' 1"
25	0' 1"
26	0' 1"

CHECK IN DATE/TIME: Tuesday, May 09, 2013 10:40:40 AM



ENGINEERING DRAWING NUMBER: 00050316	WEIGHT:	UNLESS OTHERWISE SPECIFIED DIMENSIONS ARE IN INCHES TOLERANCES DECIMALS: X ± .1 XX ± .01 XXX ± .001 XXXX ± .0005 ANGULAR: X ± 0.5 THIRD ANGLE PROJECTION 	DESIGNED BY:	CREATION DATE:	SAMSON STEEL TITLE: LAYOUT, 18' X 33', OVAL, HS510N, 1- AQUA GENIE, 850 SERIES	
	VOLUME:		MWILLIAMS	10/10/19		
	COLOR:		DETAILED BY:	DETAILED DATE:		
	HEAT TREAT:		MWILLIAMS	05/09/23		
FINISH:	LAST REVISED BY:	LAST REVISED DATE:	MATERIAL:			
TEXTURE:						
			SIZE:	SHEET:	SCALE:	PART NUMBER:
			A	4 OF 4	1:100	00050316
						REV A