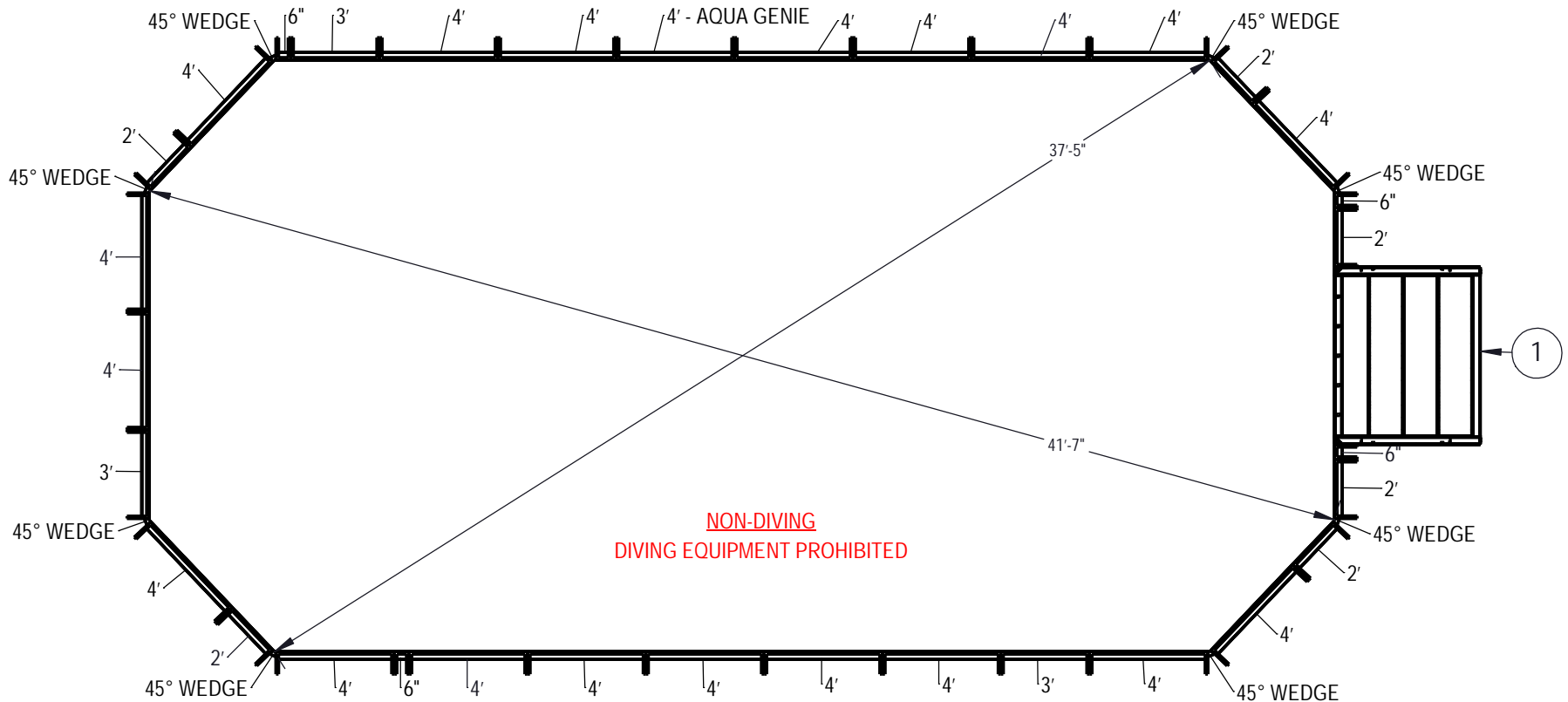


REVISION HISTORY				
REV.	DESCRIPTION	DATE	ECO	BY
A	RELEASED FOR QUOTE	3/15/2022		OFRIAUF
B	UPDATED PER TICKET #79045	1/17/2022		LESSEX
C	UPDATED PER TICKET #172574	1/27/2022		LESSEX
D	UPDATED PER TICKET #939519	12/16/2022		MROGERS
E	UPDATED PER TICKET #460470	4/4/2023		LESSEX



**NON-DIVING
DIVING EQUIPMENT PROHIBITED**

NOTES:

- THESE ARE FINISHED DIMENSIONS READY FOR THE LINER.
- DIMENSIONS ARE FROM INSIDE POOL PANELS.
- ROPE AND FLOAT ASSEMBLY SHOULD BE INSTALLED IN ACCORDANCE WITH CURRENT ANSI/ASPS/ICC REGULATIONS
- HYDRA LINER TRACK FOR STEPS IS INSTALLED WITH THE BARB FACING THE RISER WALL ON THE STEP.

EXCAVATION NOTES:

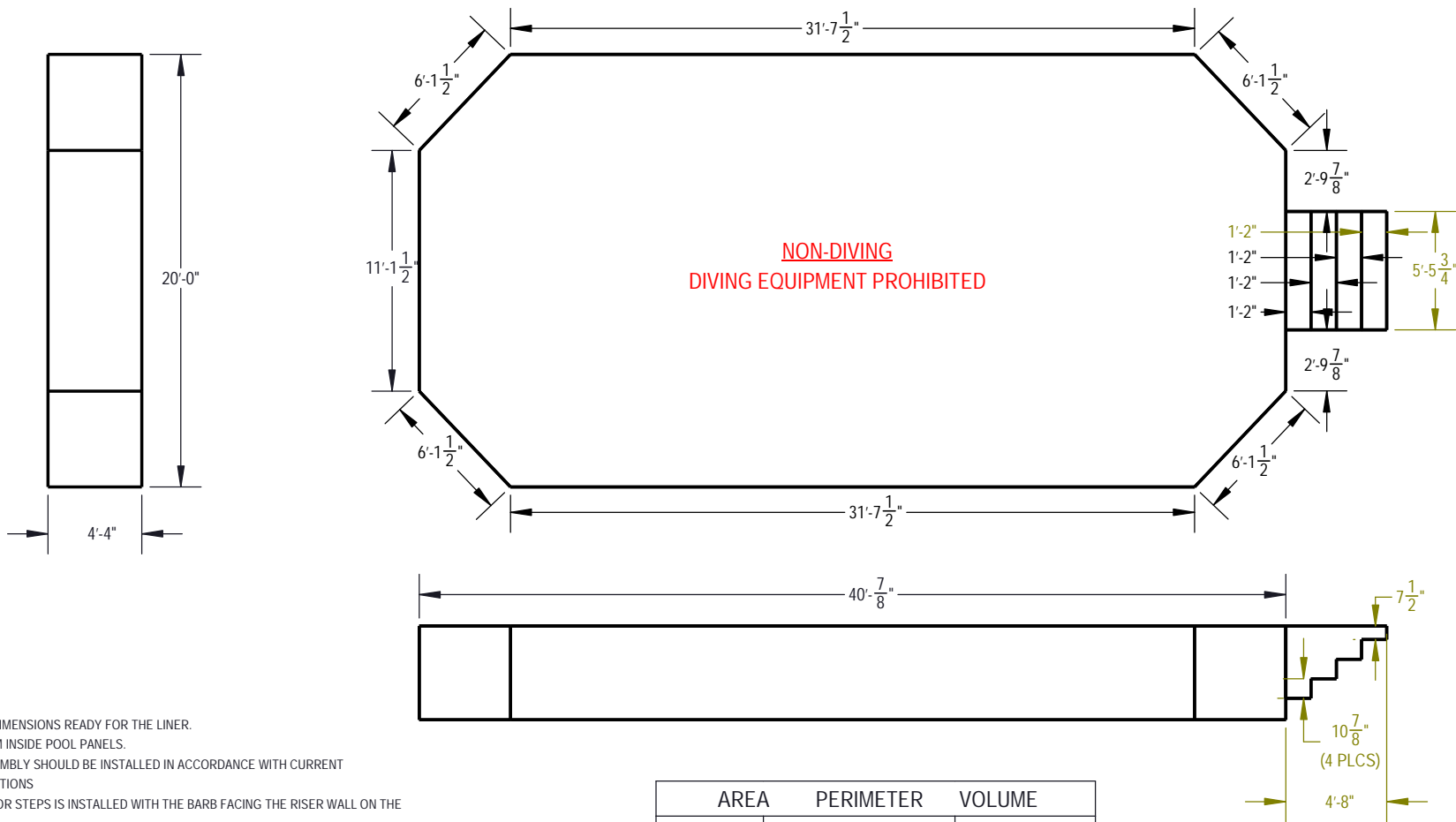
- ROUGH EXCAVATION SHOULD BE 2" DEEPER IN EACH INSTANCE.
- SOIL TO HAVE MINIMUM BEARING CAPACITY OF 1500 PSF.
- LOCATE TOP OF POOL AT LEAST 6" ABOVE THE SURROUNDING LAND ELEVATION.
- SEE "OVER DIG DETAIL" FOR EXCAVATION AROUND POOL.
- FILL VOIDS UNDER BASE OF PANELS AND TAMP WELL.
- BACK FILL WITH NON-EXPANSIVE MATERIAL.
- FOLLOW ALL CURRENT ANSI / APSP / ICC GUIDELINES FOR RESIDENTIAL POOLS

IMPORTANT NOTES:

THIS DOCUMENT IS FOR ILLUSTRATIVE PURPOSES ONLY. THE DEALER OR CONTRACTOR WHO SELLS OR INSTALLS YOUR POOL IS AN INDEPENDENT CONTRACTOR AND IS NOT AN AGENT OF THE MANUFACTURER. THE CONSTRUCTION METHODS ILLUSTRATED HERE ARE SUGGESTIONS AND APPLY ONLY TO NORMAL GROUND CONDITIONS. THERE MAY BE ADDITIONAL PRECAUTIONS AND/OR METHODS OF CONSTRUCTION. PROPER INSTALLATION IS THE RESPONSIBILITY OF THE DEALER/BUILDER/CONTRACTOR.

ITEM	FILE NAME	DESCRIPTION	CUSTOMER DRAWING #	VENDOR PART #	QTY.
1	00027996	ASSEMBLY, STEP, 52 IN WALL, 4 TREAD, 6" WIDE, 90° CORNER	HSSH27996		1
2	BOLT, PACK	BOLT, FLANGE, 3/8-16 X 1", PACK (50)	HPS1916	HPS1916	17
3	52IN, BRACE	BRACE, BUTTRESS, 52", 850 SERIES	HPSHTRIBRC	00025945	42
4	52IN PANEL, STRAIGHT	PANEL, 2' LONG, 850 SERIES	HPSH102P	00027618	6
5	52IN PANEL, STRAIGHT	PANEL, 3' LONG, 850 SERIES	HPSH103P	00025940	3
6	52IN PANEL, STRAIGHT	PANEL, 4' LONG, AQUA GENIE, 850 SERIES	HPSH104AG	00027234	1
7	52IN PANEL, STRAIGHT	PANEL, 4' LONG, 850 SERIES	HPSH104P	00025308	19
8	52IN PANEL, STRAIGHT	PANEL, 6" LONG, 850 SERIES	HPSH006P	00025946	4
9	STAKE	STAKE, 14 GA	HPSSTAKE	00003484	42
10	52IN, GRECIAN WEDGE	WEDGE, 52IN GRECIAN	HPSH45	00028361	8

ENGINEERING DRAWING NUMBER: 00041863	WEIGHT: lbs	UNLESS OTHERWISE SPECIFIED DIMENSIONS ARE IN INCHES TOLERANCES DECIMALS: X ± .1 XX ± .01 XXX ± .001 XXXX ± .0005 ANGULAR: X ± 0.5 THIRD ANGLE PROJECTION	DESIGNED BY: OFRIAUF	CREATION DATE: 4/25/2013	SAMSON STEEL
	VOLUME: Inch ³		DETAILED BY: OFRIAUF	DETAILED DATE: 4/4/2023	
	COLOR:		LAST REVISED BY: mrogers	LAST REVISED DATE: 12/16/2022	
	HEAT TREAT:		MATERIAL:		
FINISH:					TITLE: LAYOUT, 20' X 40', GRECIAN, FLAT BOTTOM, 6' DIAGONAL, 4'4" DEEP, HSSH27996, 1-AQUA GENIE, 850 SERIES
TEXTURE:					PART NUMBER: 00041863
					SCALE: 1:128 SHEET: 1 OF 4 SIZE: A



**NON-DIVING
DIVING EQUIPMENT PROHIBITED**

AREA	PERIMETER	VOLUME
SQ. FT.	FT.	U.S. GALLONS
789.53	119.34	0.036

NOTES:

1. THESE ARE FINISHED DIMENSIONS READY FOR THE LINER.
2. DIMENSIONS ARE FROM INSIDE POOL PANELS.
3. ROPE AND FLOAT ASSEMBLY SHOULD BE INSTALLED IN ACCORDANCE WITH CURRENT ANSI/ASPS/ICC REGULATIONS
4. HYDRA LINER TRACK FOR STEPS IS INSTALLED WITH THE BARB FACING THE RISER WALL ON THE STEP.

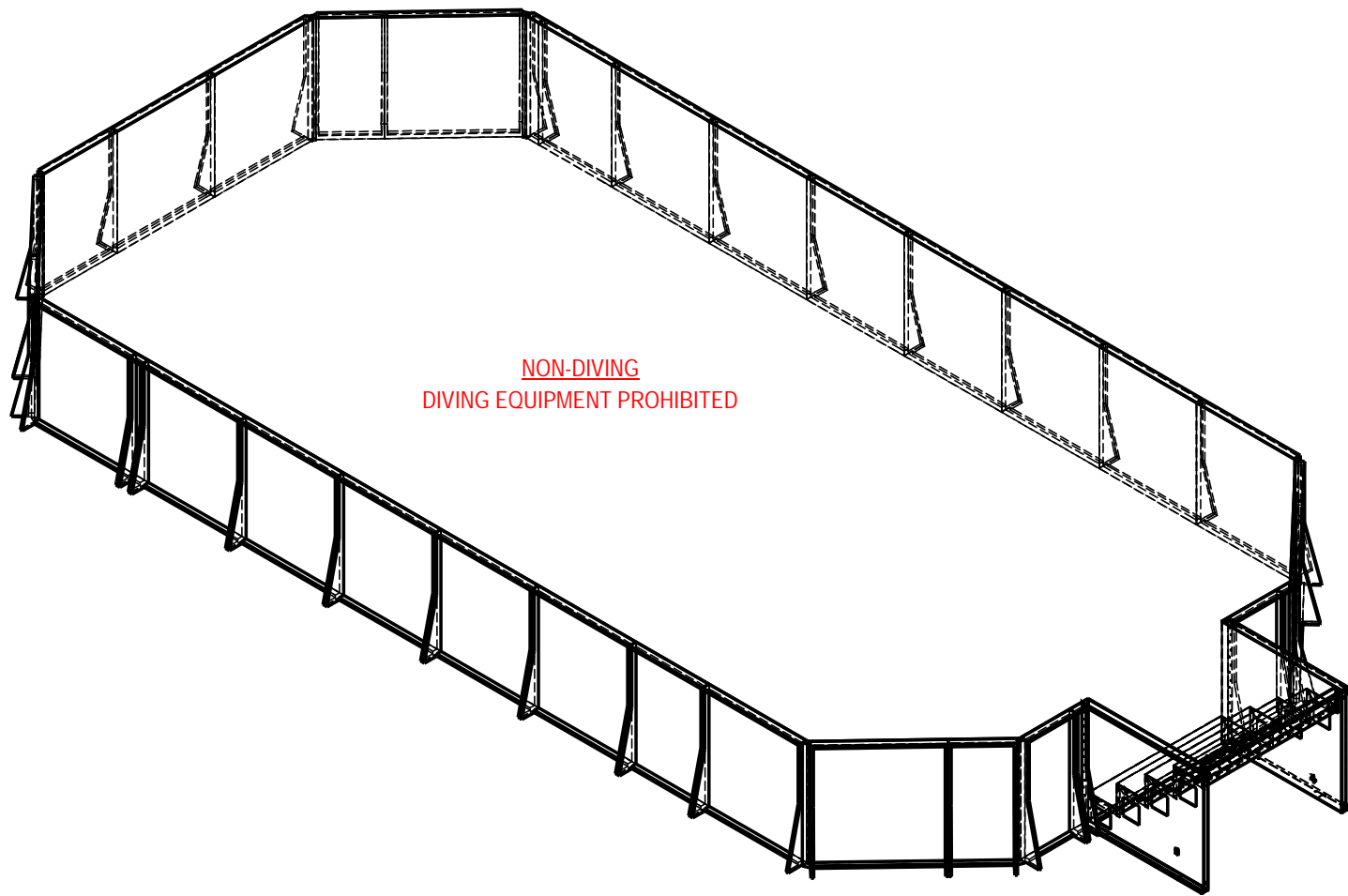
EXCAVATION NOTES:

5. ROUGH EXCAVATION SHOULD BE 2" DEEPER IN EACH INSTANCE.
6. SOIL TO HAVE MINIMUM BEARING CAPACITY OF 1500 PSF.
7. LOCATE TOP OF POOL AT LEAST 6" ABOVE THE SURROUNDING LAND ELEVATION.
8. SEE "OVER DIG DETAIL" FOR EXCAVATION AROUND POOL.
9. FILL VOIDS UNDER BASE OF PANELS AND TAMP WELL.
10. BACK FILL WITH NON-EXPANSIVE MATERIAL.
11. FOLLOW ALL CURRENT ANSI / ASP / ICC GUIDELINES FOR RESIDENTIAL POOLS

IMPORTANT NOTES:

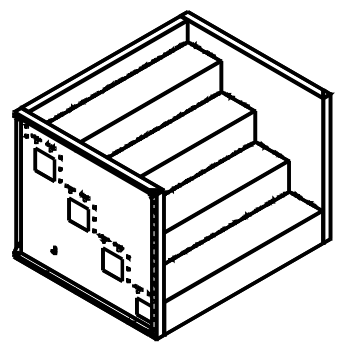
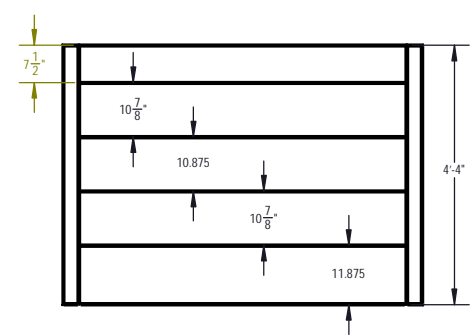
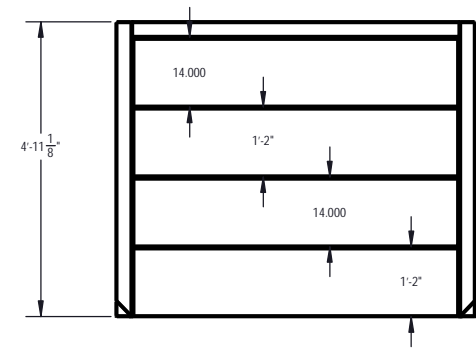
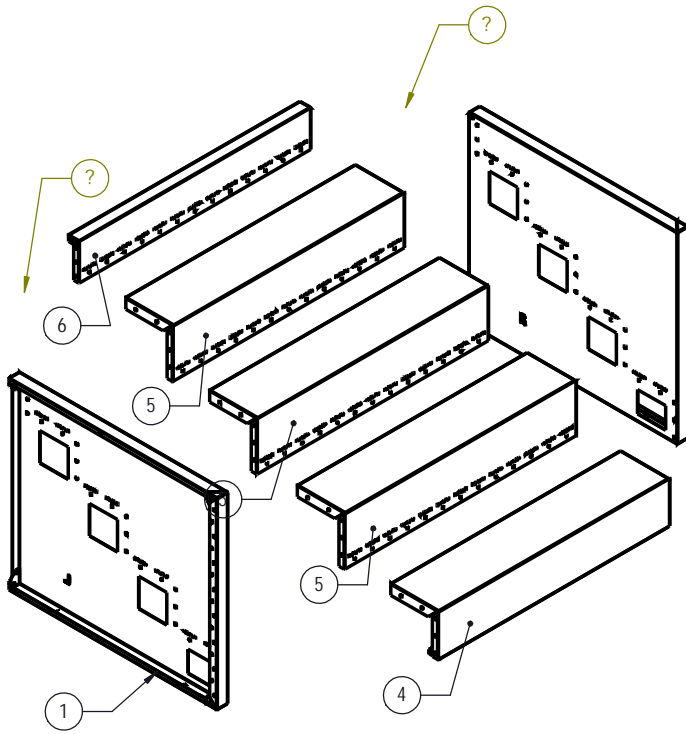
THIS DOCUMENT IS FOR ILLUSTRATIVE PURPOSES ONLY. THE DEALER OR CONTRACTOR WHO SELLS OR INSTALLS YOUR POOL IS AN INDEPENDENT CONTRACTOR AND IS NOT AN AGENT OF THE MANUFACTURER. THE CONSTRUCTION METHODS ILLUSTRATED HERE ARE SUGGESTIONS AND APPLY ONLY TO NORMAL GROUND CONDITIONS. THERE MAY BE ADDITIONAL PRECAUTIONS AND/OR METHODS OF CONSTRUCTION. PROPER INSTALLATION IS THE RESPONSIBILITY OF THE DEALER/BUILDER/CONTRACTOR.

ENGINEERING DRAWING NUMBER: 00041863	WEIGHT: lbs 0.036 Inch ³	UNLESS OTHERWISE SPECIFIED DIMENSIONS ARE IN INCHES TOLERANCES DECIMALS: X ± .1 XX ± .01 XXX ± .001 XXXX ± .0005 ANGULAR: X ± 0.5 THIRD ANGLE PROJECTION	DESIGNED BY: OFRIAUF	CREATION DATE: 4/25/2013	SAMSON STEEL	
				DETAILED BY: OFRIAUF		DETAILED DATE: 4/4/2023
				LAST REVISED BY: mrogers		LAST REVISED DATE: 3/16/2022
				MATERIAL:		
						TITLE: LAYOUT, 20' X 40', GRECIAN, FLAT BOTTOM, 6' DIAGONAL, 4 1/4" DEEP, HSSH27996, 1 -AQUA GENIE, 850 SERIES
						00041863
						SCALE: 1:128 SHEET: 2 OF 4
						A



ENGINEERING DRAWING NUMBER: 00041863	WEIGHT:	UNLESS OTHERWISE SPECIFIED	DESIGNED BY:	CREATION DATE:	SAMSON STEEL	
	lbs		DIMENSIONS ARE IN INCHES	OFRIAUF		4/25/2013
	Inch ³		TOLERANCES	DETAILED BY:		DETAILED DATE:
	COLOR:		DECIMALS: X ± .1	OFRIAUF		4/4/2023
	HEAT TREAT:		XX ± .01	LAST REVISED BY:		LAST REVISED DATE:
	FINISH:		XXX ± .001	mrogers		12/16/2022
TEXTURE:	XXXX ± .0005	MATERIAL:	TITLE: LAYOUT, 20' X 40', GRECIAN, FLAT BOTTOM, 6' DIAGONAL, 4'4" DEEP, HSSH27996, 1 -AQUA GENIE, 850 SERIES			
	ANGULAR: X ± 0.5	PART NUMBER: 00041863				
	THIRD ANGLE PROJECTION	SCALE: 1:128				
		SHEET: 3 OF 4				
		A				

REVISION HISTORY					
REV	DESCRIPTION	DATE	BY	APP'D	DATE
1	ISSUED FOR CONSTRUCTION	10/11/2013	BFOUTZ		
2	REVISED TO ADD 90 DEGREE CORNERS	4/12/2023	OFRIALUF		
3	REVISED TO ADD 90 DEGREE CORNERS	12/8/2022	PROGERS		



- NOTES:**
- THESE ARE FINISHED DIMENSIONS READY FOR THE LINER.
 - DIMENSIONS ARE FROM INSIDE POOL PANELS.
 - ROPE AND FLOAT ASSEMBLY SHOULD BE INSTALLED IN ACCORDANCE WITH CURRENT ANSVASPS/ICC REGULATIONS.
 - HYDRA LINER TRACK FOR STEPS IS INSTALLED WITH THE BARB FACING THE RISER WALL ON THE STEP.
- EXCAVATION NOTES:**
- ROUGH EXCAVATION SHOULD BE 2" DEEPER IN EACH INSTANCE.
 - SOIL TO HAVE MINIMUM BEARING CAPACITY OF 1500 PSF.
 - LOCATE TOP OF POOL AT LEAST 6" ABOVE THE SURROUNDING LAND ELEVATION.
 - SEE "OVER DIG DETAIL" FOR EXCAVATION AROUND POOL.
 - FILL VOIDS UNDER BASE OF PANELS AND TAMP WELL.
 - BACK FILL WITH NON-EXPANSIVE MATERIAL.
 - FOLLOW ALL CURRENT ANSI / APSP / ICC GUIDELINES FOR RESIDENTIAL POOLS.
- IMPORTANT NOTES:**
- THIS DOCUMENT IS FOR ILLUSTRATIVE PURPOSES ONLY. THE DEALER OR CONTRACTOR WHO SELLS OR INSTALLS YOUR POOL IS AN INDEPENDENT CONTRACTOR AND IS NOT AN AGENT OF THE MANUFACTURER. THE CONSTRUCTION METHODS ILLUSTRATED HERE ARE SUGGESTIONS AND APPLY ONLY TO NORMAL GROUND CONDITIONS. THERE MAY BE ADDITIONAL PRECAUTIONS AND/OR METHODS OF CONSTRUCTION. PROPER INSTALLATION IS THE RESPONSIBILITY OF THE DEALER/BUILDER/CONTRACTOR.

IF 90 DEGREE SQUARE CORNERS ARE REQUIRED
LEAVE OUT THE 00027999 RADIUS FILLERS

ITEM	FILE NAME	DESCRIPTION	CUSTOMER DRAWING #	VENDOR PART #	QTY
1	00027998	ASSEMBLY, PANEL, STEP, 52 IN WALL, 4 TREAD, LEFT SIDE	00027998		1
2	00027997	ASSEMBLY, PANEL, STEP, 52 IN WALL, 4 TREAD, RIGHT SIDE	00027997		1
3	BOLT_PACK	BOLT, FLANGE, 3/8-16 X 1" PACK (50)	HPS1916	HPS1916	3
4	00028002	TREAD, STEP, 52 IN, BOTTOM, 45.78" WIDE	00028002	00028002	1
5	00028001	TREAD, STEP, 52 IN, CENTER, 45.78" WIDE	00028001	00028001	3
6	00028000	TREAD, STEP, 52 IN, TOP, 45.78" WIDE	00028000	00028000	1

WEIGHT: 561.2 lbs VOLUME: 1.00 cu ft COLOR: HEAT TREAT: FINISH: TEXTURE:	UNLESS OTHERWISE SPECIFIED DIMENSIONS ARE IN INCHES TOLERANCES DECIMALS: X ± .1 XX ± .01 XXX ± .001 XXXX ± .0005 ANGULAR: X ± 0.5 THIRD ANGLE PROJECTION	DESIGNED BY: BFOUTZ	CREATION DATE: 10/11/2013	SAMSON STEEL
		DRAWN BY: OFRIALUF	DATE OF DATE: 4/12/2023	
PART NUMBER: HSSH27996	SCALE: 1:16	SHEET: 4 OF 4	SIZE: B	