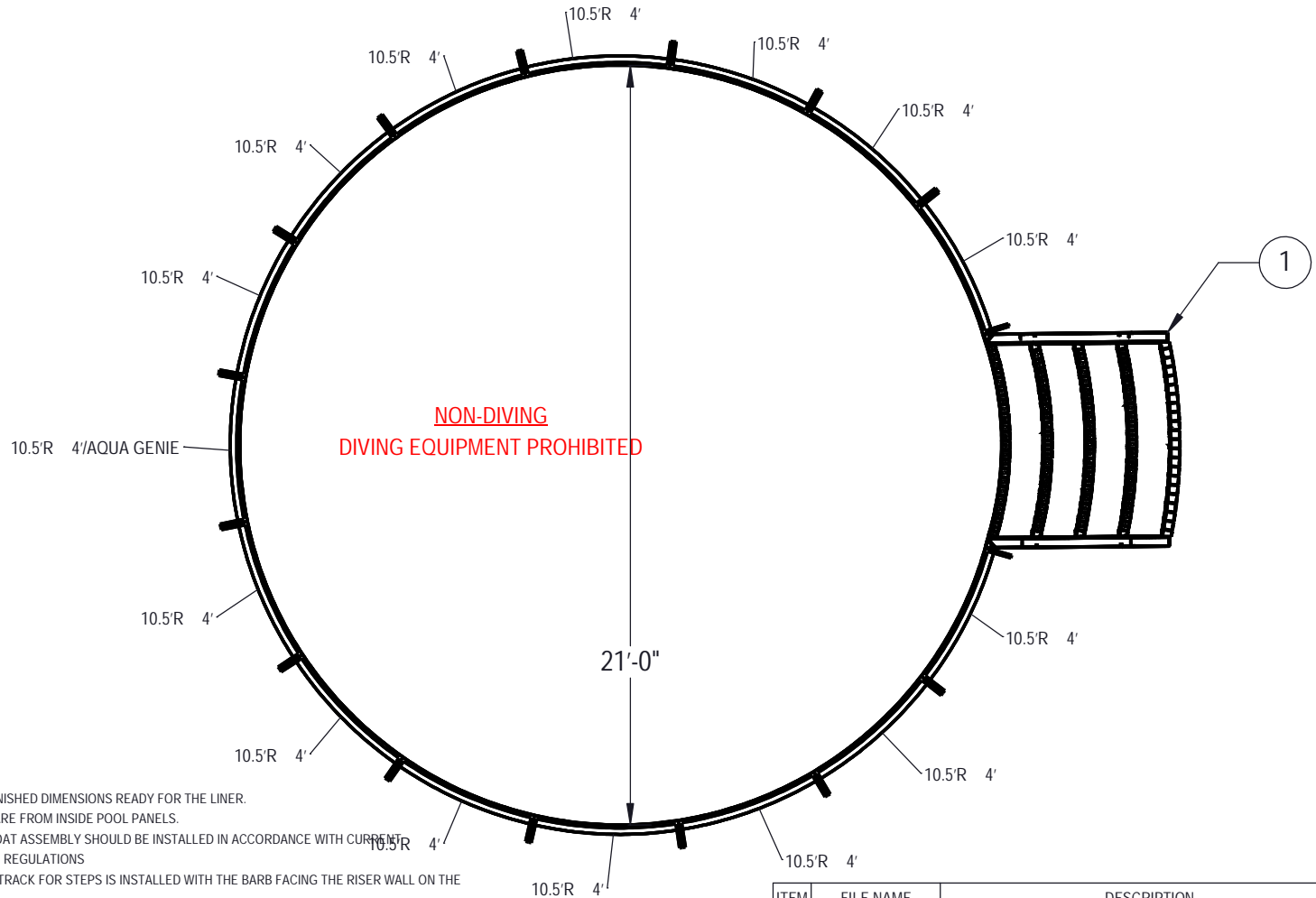


REVISION HISTORY				
REV.	DESCRIPTION	DATE	ECO	BY
A	RELEASED FOR QUOTE	3/10/2023		MROGERS
B	UPDATED PER TICKET #715972	4/4/2023		LESSEX



NOTES:

1. THESE ARE FINISHED DIMENSIONS READY FOR THE LINER. DIMENSIONS ARE FROM INSIDE POOL PANELS.
2. ROPE AND FLOAT ASSEMBLY SHOULD BE INSTALLED IN ACCORDANCE WITH CURRENT ANSI/APSP/ICC REGULATIONS
3. HYDRA LINER TRACK FOR STEPS IS INSTALLED WITH THE BARB FACING THE RISER WALL ON THE STEP.

EXCAVATION NOTES:

5. ROUGH EXCAVATION SHOULD BE 2" DEEPER IN EACH INSTANCE. SOIL TO HAVE MINIMUM BEARING CAPACITY OF 1500 PSF.
7. LOCATE TOP OF POOL AT LEAST 6" ABOVE THE SURROUNDING LAND ELEVATION.
8. SEE "OVER DIG DETAIL", IN INSTALLATION MANUAL, FOR EXCAVATION AROUND POOL.
9. FILL VOIDS UNDER BASE OF PANELS AND TAMP WELL.
10. BACK FILL WITH NON-EXPANSIVE MATERIAL.
11. FOLLOW ALL CURRENT ANSI / APSP / ICC GUIDELINES FOR RESIDENTIAL POOLS

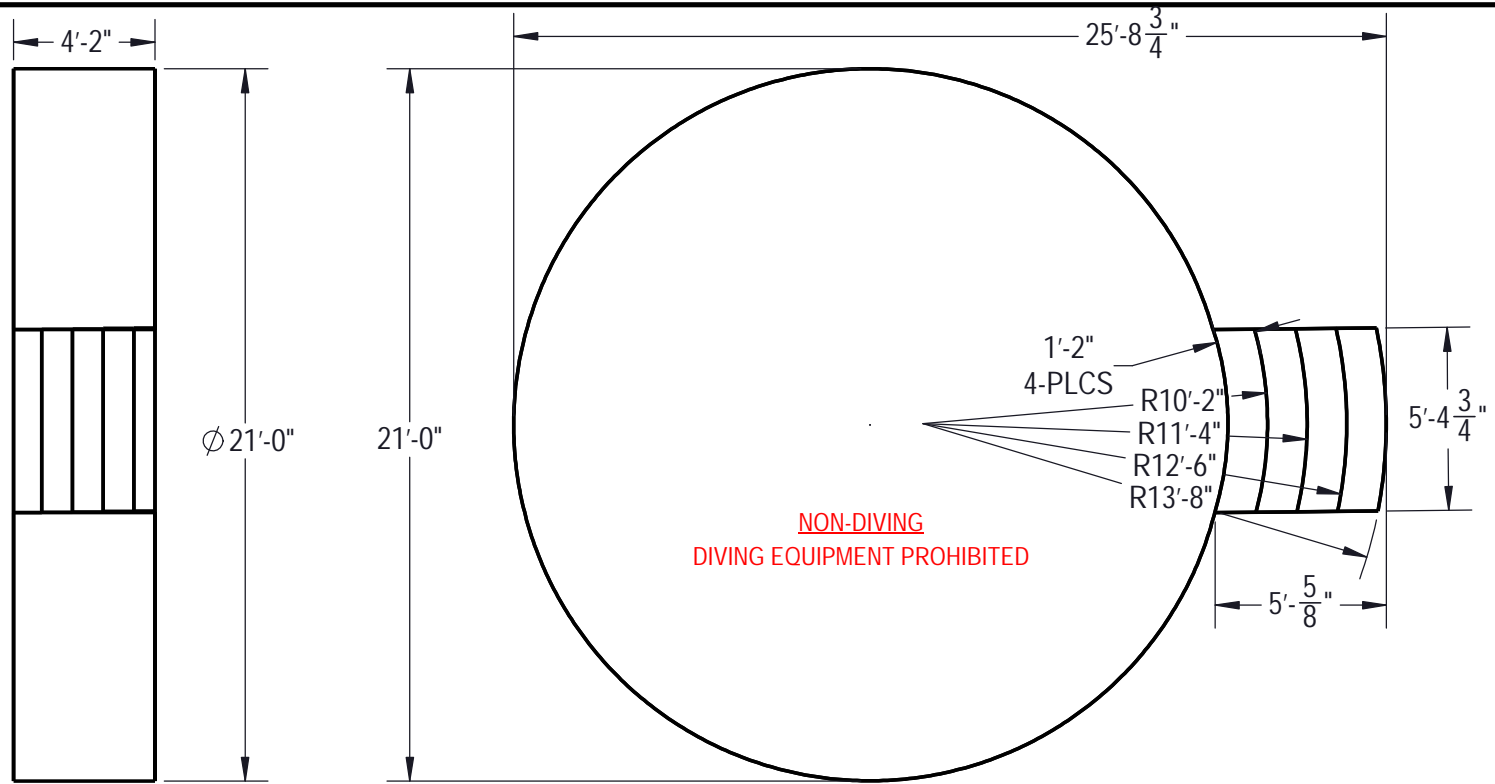
IMPORTANT NOTES:

THIS DOCUMENT IS FOR ILLUSTRATIVE PURPOSES ONLY. THE DEALER OR CONTRACTOR WHO SELLS OR INSTALLS YOUR POOL IS AN INDEPENDENT CONTRACTOR AND IS NOT AN AGENT OF THE MANUFACTURER. THE CONSTRUCTION METHODS ILLUSTRATED HERE ARE SUGGESTIONS AND APPLY ONLY TO NORMAL GROUND CONDITIONS. THERE MAY BE ADDITIONAL PRECAUTIONS AND/OR METHODS OF CONSTRUCTION. PROPER INSTALLATION IS THE RESPONSIBILITY OF THE DEALER/BUILDER/CONTRACTOR.

ITEM	FILE NAME	DESCRIPTION	CUSTOMER DRAWING #	VENDOR PART #	QTY.
1	00028304	ASSEMBLY, STEP, 52 IN WALL, 4 TREAD, 9FT RADIUS, 6' WIDE, 90° CORNER	HSSH28304	00028304	1
2	BOLT, PACK	BOLT, FLANGE, 3/8-16 X 1", PACK (50)	HPS1916	HPS1916	7
3	52IN, BRACE	BRACE, BUTTRESS, 52", 850 SERIES	HPSHTRIBRC	00025945	16
4	52 IN PANEL, RADIUS	PANEL, 10.5' RADIUS, 4' LONG, 850 SERIES	HPSHT106R4	00027690	14
5	52 IN PANEL, RADIUS	PANEL, 10.5' RADIUS, 4' LONG, AQUA GENIE, 850 SERIES	HPSHT1R4AG	00046824	1
6	STAKE	STAKE, 14 GA	HPSSTAKE	00003484	16

ENGINEERING DRAWING NUMBER: 00048605	WEIGHT: lbs	UNLESS OTHERWISE SPECIFIED DIMENSIONS ARE IN INCHES TOLERANCES DECIMALS: X ± .1 XX ± .01 XXX ± .001 XXXX ± .0005 ANGULAR: X ± 0.5 THIRD ANGLE PROJECTION	DESIGNED BY: MROGERS	CREATION DATE: 11/30/2020	SAMSON STEEL	
	VOLUME: Inch ³		DETAILED BY: MROGERS	DETAILED DATE: 4/4/2023		
	COLOR:		LAST REVISED BY: lessex	LAST REVISED DATE: 3/10/2023		
	HEAT TREAT:		MATERIAL:	TITLE: LAYOUT, 21' ROUND, FLAT BOTTOM, 52" WALL, HSSH28304, 1- AQUA GENIES, 850 SERIES		
FINISH:				PART NUMBER:	SCALE: 1:192	SIZE: A
TEXTURE:					00048605	SHEET: 1 OF 4

DRAWING NUMBER: CHECK IN DATE TIME: Friday, March 10, 2023 3:01:25 PM



AREA	PERIMETER	VOLUME
SQ. FT.	FT.	U.S. GALLONS
346.36	65.97	11181

NOTES:

- THESE ARE FINISHED DIMENSIONS READY FOR THE LINER.
- DIMENSIONS ARE FROM INSIDE POOL PANELS.
- ROPE AND FLOAT ASSEMBLY SHOULD BE INSTALLED IN ACCORDANCE WITH CURRENT ANSI/APSP/ICC REGULATIONS
- HYDRA LINER TRACK FOR STEPS IS INSTALLED WITH THE BARB FACING THE RISER WALL ON THE STEP.

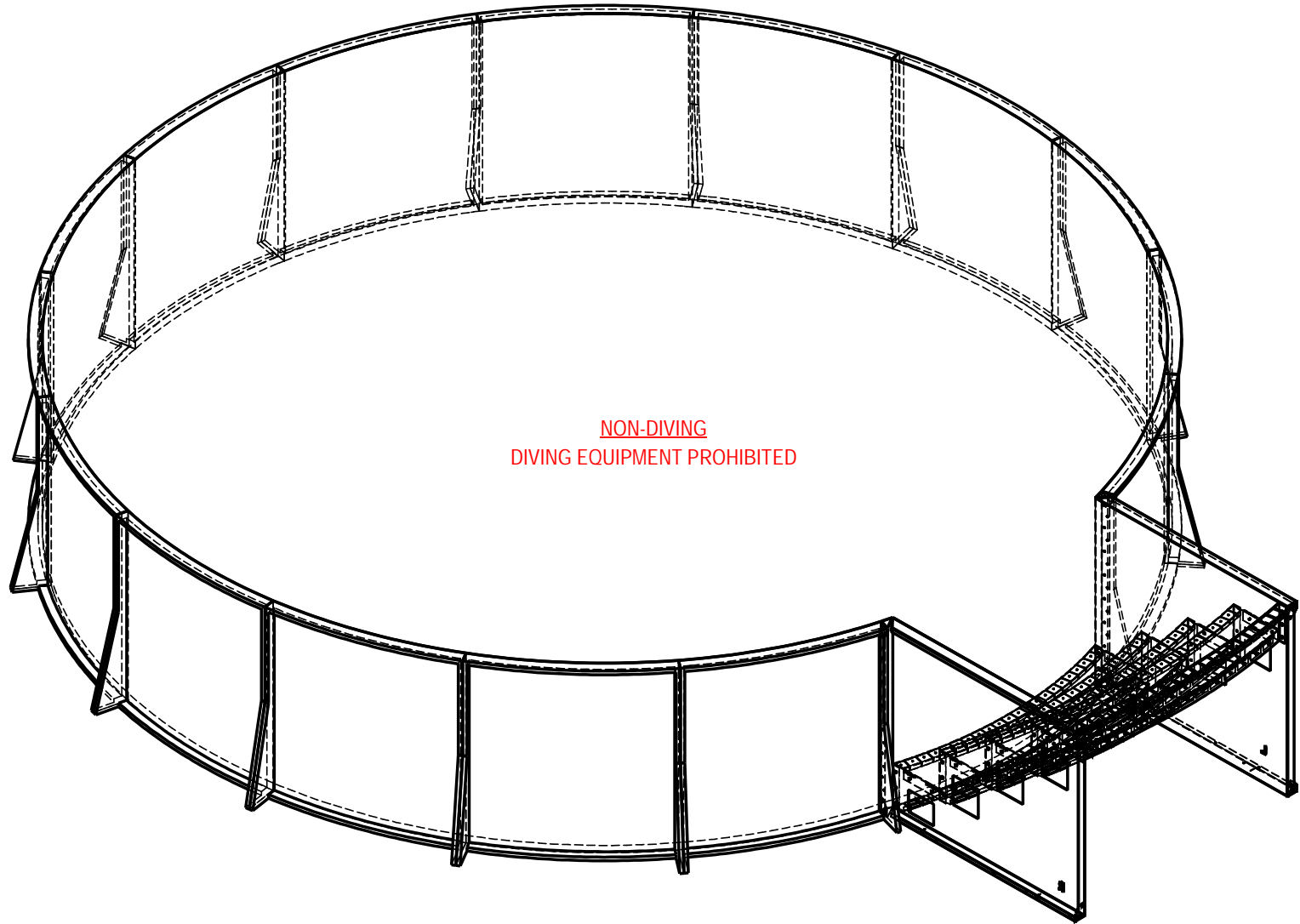
EXCAVATION NOTES:

- ROUGH EXCAVATION SHOULD BE 2" DEEPER IN EACH INSTANCE.
- SOIL TO HAVE MINIMUM BEARING CAPACITY OF 1500 PSF.
- LOCATE TOP OF POOL AT LEAST 6" ABOVE THE SURROUNDING LAND ELEVATION.
- SEE "OVER DIG DETAIL", IN INSTALLATION MANUAL, FOR EXCAVATION AROUND POOL.
- FILL VOIDS UNDER BASE OF PANELS AND TAMP WELL.
- BACK FILL WITH NON-EXPANSIVE MATERIAL.
- FOLLOW ALL CURRENT ANSI / APSP / ICC GUIDELINES FOR RESIDENTIAL POOLS

IMPORTANT NOTES:

THIS DOCUMENT IS FOR ILLUSTRATIVE PURPOSES ONLY. THE DEALER OR CONTRACTOR WHO SELLS OR INSTALLS YOUR POOL IS AN INDEPENDENT CONTRACTOR AND IS NOT AN AGENT OF THE MANUFACTURER. THE CONSTRUCTION METHODS ILLUSTRATED HERE ARE SUGGESTIONS AND APPLY ONLY TO NORMAL GROUND CONDITIONS. THERE MAY BE ADDITIONAL PRECAUTIONS AND/OR METHODS OF CONSTRUCTION. PROPER INSTALLATION IS THE RESPONSIBILITY OF THE DEALER/BUILDER/CONTRACTOR.

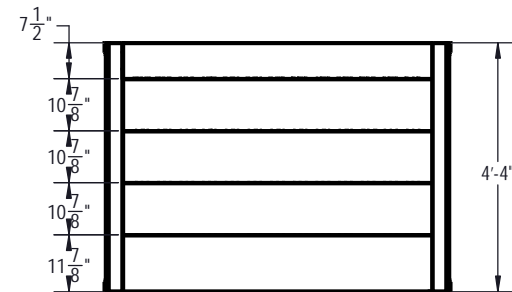
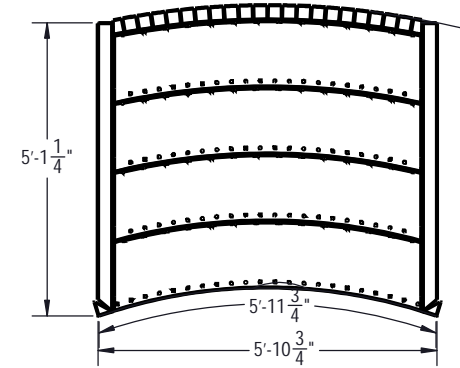
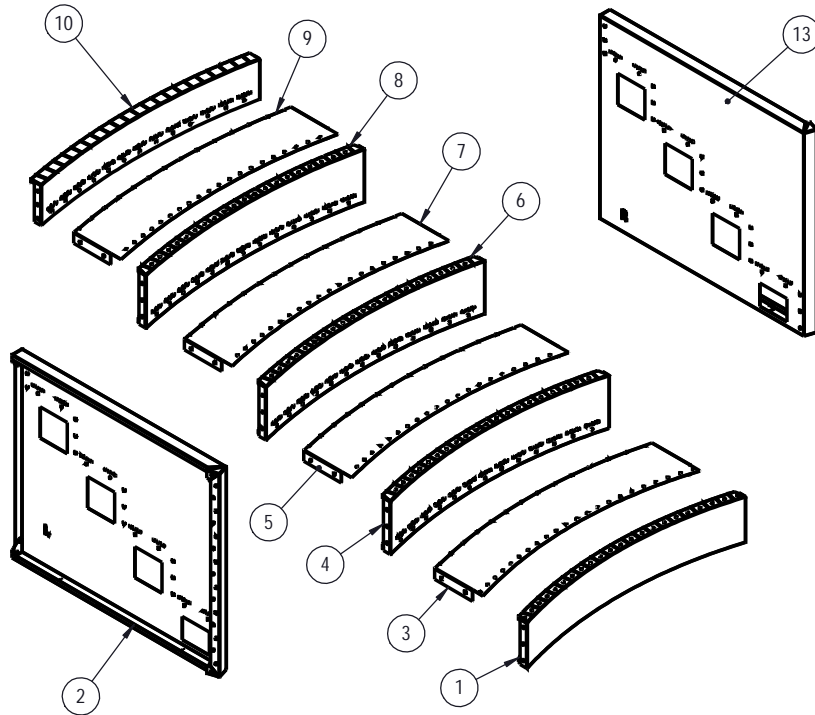
ENGINEERING DRAWING NUMBER: 00041829	WEIGHT: lbs VOLUME: 11181 Inch ³	UNLESS OTHERWISE SPECIFIED DIMENSIONS ARE IN INCHES TOLERANCES DECIMALS: X ± .1 XX ± .01 XXX ± .001 XXXX ± .0005 ANGULAR: X ± 0.5 THIRD ANGLE PROJECTION 	DESIGNED BY: CHALL	CREATION DATE: 11/30/2020	SAMSON STEEL	
	COLOR:		DETAILED BY: MROGERS	DETAILED DATE: 4/4/2023		
	HEAT TREAT:		LAST REVISED BY: lessex	LAST REVISED DATE: 12/14/2022	TITLE: LAYOUT, 21' ROUND, FLAT BOTTOM, 52" WALL, HSSH28304, 1- AQUA GENIES, 850 SERIES	
	FINISH:		MATERIAL:			
TEXTURE:	SIZE: A	SHEET: 2 OF 4	SCALE: 1:192	PART NUMBER: 00041829		
					REV	B



NON-DIVING
DIVING EQUIPMENT PROHIBITED

ERROR NUMBER: MADE FROM: CHECK IN DATE/TIME: Friday, March 10, 2023 3:01:25 PM

ENGINEERING DRAWING NUMBER: 00048605	WEIGHT:	UNLESS OTHERWISE SPECIFIED DIMENSIONS ARE IN INCHES TOLERANCES DECIMALS: X ± .1 XX ± .01 XXX ± .001 XXXX ± .0005 ANGULAR: X ± 0.5 THIRD ANGLE PROJECTION 	DESIGNED BY:	CREATION DATE:	SAMSON STEEL			
	VOLUME:		MROGERS	11/30/2020				
	COLOR:		DETAILED BY:	MROGERS	DETAILED DATE:	TITLE: LAYOUT, 21' ROUND, FLAT BOTTOM, 52" WALL, HSSH28304, 1- AQUA GENIES, 850 SERIES		
	HEAT TREAT:		LAST REVISED BY:	lessex	LAST REVISED DATE:			
FINISH:	MATERIAL:		SIZE:	SHEET:	SCALE:	PART NUMBER:	REV	
TEXTURE:			A	3 OF 4	1:192	00048605	B	



FOR 6" RADIUS CORNERS USE PART # 00027999
 IT IS USED WITH ALL 6" RADIUS COPING
 IF 90 DEGREE CORNER ARE REQUIRED LEAVE OUT # 00027999
 IT IS NOT USED WITH THE POLYMER TOPCAP

ITEM	FILE NAME	DESCRIPTION	CUSTOMER DRAWING #	VENDOR PART #	QTY
1	00028303	RISE, 9FT RADIUS STEP, 52 IN, "D"		00028303	1
2	00028294	ASSEMBLY, PANEL, RADIUS STEP, 52 IN WALL, 4 TREAD, LEFT SIDE		00028294	1
3	00028298	TREAD, 9FT RADIUS STEP, 52 IN, BOTTOM "D"		00028298	1
4	00028302	RISE, 9FT RADIUS STEP, 52 IN, "C"		00028302	1
5	00028297	TREAD, 9FT RADIUS STEP, 52 IN, MIDDLE "C"		00028297	1
6	00028301	RISE, 9FT RADIUS STEP, 52 IN, "B"		00028301	1
7	00028296	TREAD, 9FT RADIUS STEP, 52 IN, MIDDLE "B"		00028296	1
8	00028300	RISE, 9FT RADIUS STEP, 52 IN, "A"		00028300	1
9	00028295	TREAD, 9FT RADIUS STEP, 52 IN, TOP "A"		00028295	1
10	00028299	RISE, 9FT RADIUS STEP, 52 IN, TOP BACK		00028299	1
11		BOLT, PACK		HPS1916	3
12	FHSCS 0.375-16x1-HX-N				100
13	00028293	ASSEMBLY, PANEL, RADIUS STEP, 52 IN WALL, 4 TREAD, RIGHT SIDE		00028293	1

PART NUMBER: 00028304 WEIGHT: 29.110 LBS VOLUME: 778.242 INCH ³ COLOR: NA HEAT TREAT: NA FINISH: NA TEXTURE: NA	UNLESS OTHERWISE SPECIFIED DIMENSIONS ARE IN INCHES TOLERANCES: X ± .1 DECIMALS: XX ± .01 XXX ± .001 XXXX ± .0005 ANGULAR: X ± 0.5 THIRD ANGLE PROJECTION	DESIGNED BY: BFOUTZ ESTABLISHED BY: MROGERS LAST REVISED BY: HESSEX MATERIAL: G-235,14 GA	CREATION DATE: 11/11/2019 ESTABLISHED DATE: 4/4/2023 LAST REVISED DATE: 3/6/2023	SAMSON STEEL TITLE: ASSEMBLY, STEP, 52 IN WALL, 4 TREAD, 9FT RADIUS, 6" WIDE, 90° CORNER
	PART NUMBER: HSSH28304			SCALE: 1/50
				SHEET: 4 OF 4
				B