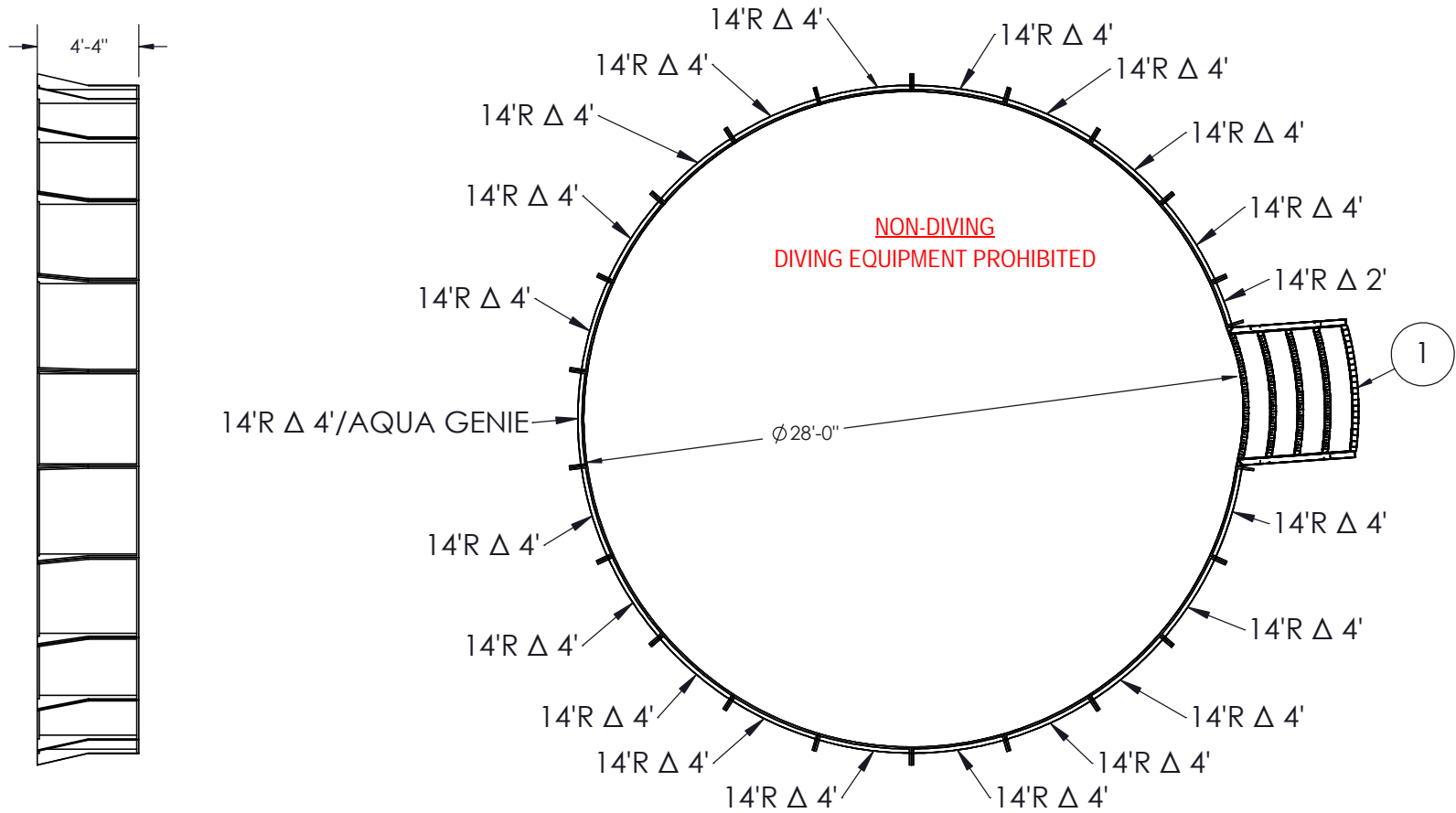


REVISION HISTORY				
REV.	DESCRIPTION	DATE	ECO	BY
A	RELEASED FOR QUOTE	5/8/2023		CHALL
B	UPDATED BRACES	5/18/2023		IESSEX



NOTES:

- THESE ARE FINISHED DIMENSIONS READY FOR THE LINER.
- DIMENSIONS ARE FROM INSIDE POOL PANELS.
- ROPE AND FLOAT ASSEMBLY SHOULD BE INSTALLED IN ACCORDANCE WITH CURRENT ANSI/APSP/ICC REGULATIONS
- HYDRA LINER TRACK FOR STEPS IS INSTALLED WITH THE BARB FACING THE RISER WALL ON THE STEP.

EXCAVATION NOTES:

- ROUGH EXCAVATION SHOULD BE 2" DEEPER IN EACH INSTANCE.
- SOIL TO HAVE MINIMUM BEARING CAPACITY OF 1500 PSF.
- LOCATE TOP OF POOL AT LEAST 6" ABOVE THE SURROUNDING LAND ELEVATION.
- SEE "OVER DIG DETAIL", IN INSTALLATION MANUAL, FOR EXCAVATION AROUND POOL.
- FILL VOIDS UNDER BASE OF PANELS AND TAMP WELL.
- BACK FILL WITH NON-EXPANSIVE MATERIAL.
- FOLLOW ALL CURRENT ANSI / APSP / ICC GUIDELINES FOR RESIDENTIAL POOLS

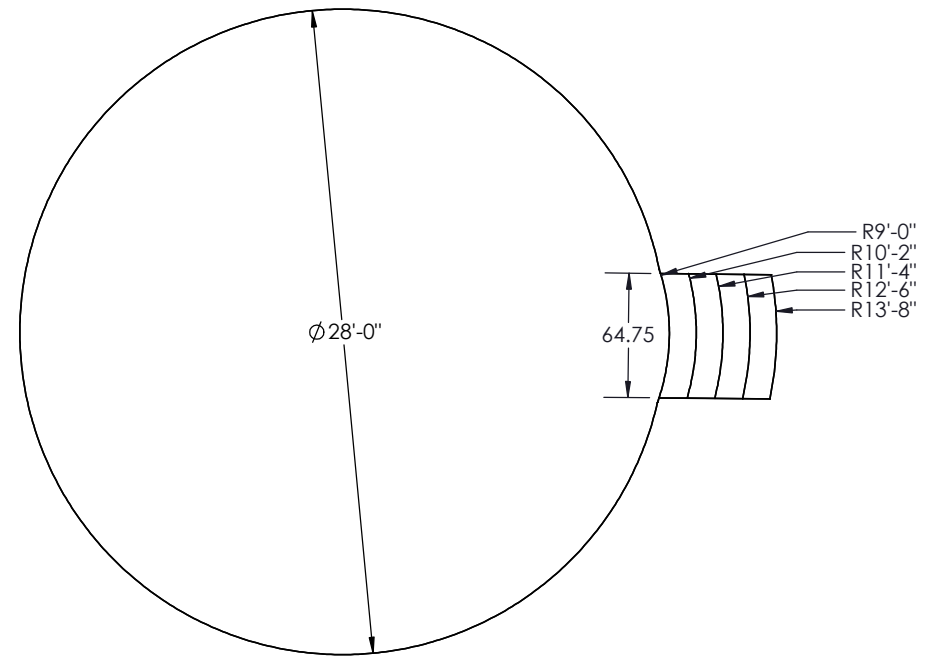
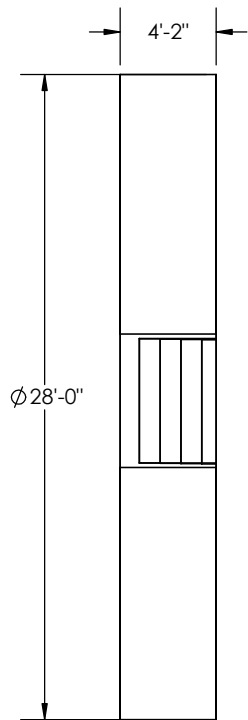
IMPORTANT NOTES:

THIS DOCUMENT IS FOR ILLUSTRATIVE PURPOSES ONLY. THE DEALER OR CONTRACTOR WHO SELLS OR INSTALLS YOUR POOL IS AN INDEPENDENT CONTRACTOR AND IS NOT AN AGENT OF THE MANUFACTURER. THE CONSTRUCTION METHODS ILLUSTRATED HERE ARE SUGGESTIONS AND APPLY ONLY TO NORMAL GROUND CONDITIONS. THERE MAY BE ADDITIONAL PRECAUTIONS AND/OR METHODS OF CONSTRUCTION. PROPER INSTALLATION IS THE RESPONSIBILITY OF THE DEALER/BUILDER/CONTRACTOR.

ITEM	FILE NAME	DESCRIPTION	CUSTOMER DRAWING #	VENDOR PART #	QTY.
1	00028304	ASSEMBLY, STEP, 52 IN WALL, 4 TREAD, 9FT RADIUS, 6" WIDE, 90° CORNER	HSSH28304	00028304	1
2		BOLT, FLANGE, 3/8-16 X 1", PACK (50)	HPS1916	HPS1916	9
3	52IN, BRACE	BRACE, BUTTRESS, 52", 850 SERIES	HPSHTRIBRC	00025945	22
4	52 IN PANEL, RADIUS	PANEL, 14" RADIUS, 2' LONG, 850 SERIES	HPSH14R2	00034529	1
5	52 IN PANEL, RADIUS	PANEL, 14" RADIUS, 4' LONG, 850 SERIES	HPSH14R4	00034531	19
6	52 IN PANEL, RADIUS	PANEL, 14" RADIUS, 4' LONG, AQUA GENIE, 850 SERIES	HPSH14R4AG	00039422	1
7	STAKE	STAKE, 14 GA	HPSSTAKE	00003484	22

ENGINEERING DRAWING NUMBER: 00050251	WEIGHT: lbs	UNLESS OTHERWISE SPECIFIED DIMENSIONS ARE IN INCHES TOLERANCES DECIMALS: X ± .1 XX ± .01 XXX ± .001 XXXX ± .0005 ANGULAR: X ± 0.5 THIRD ANGLE PROJECTION	DESIGNED BY: IESSEX	CREATION DATE: 10/10/2019	SAMSON STEEL	
	VOLUME: Inch³		DETAILED BY: IESSEX	DETAILED DATE: 5/18/2023		
	COLOR:		LAST REVISED BY: chall	LAST REVISED DATE: 5/8/2023	TITLE: LAYOUT, 28" ROUND, HSSF28304, 1- AQUA GENIE, 850 SERIES	
	HEAT TREAT:		MATERIAL:		PART NUMBER: 00050251	
FINISH:					SCALE: 1:100	SIZE: A
TEXTURE:					SHEET: 1 OF 3	

MIRROR NUMBER: MADE FROM: CHECK IN DATE/TIME: London, May 8, 2023, 9:49:42 AM

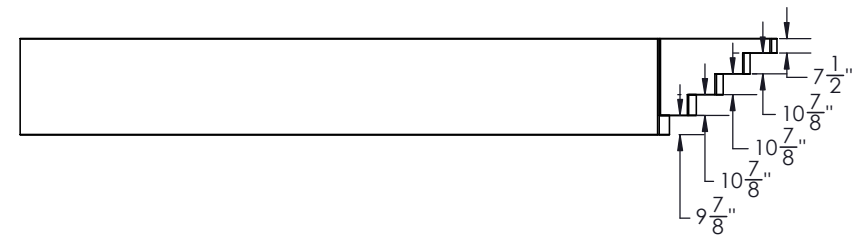


AREA	PERIMETER	VOLUME
SQ. FT.	FT.	U.S. GALLONS
615.759	87.964	19192.275

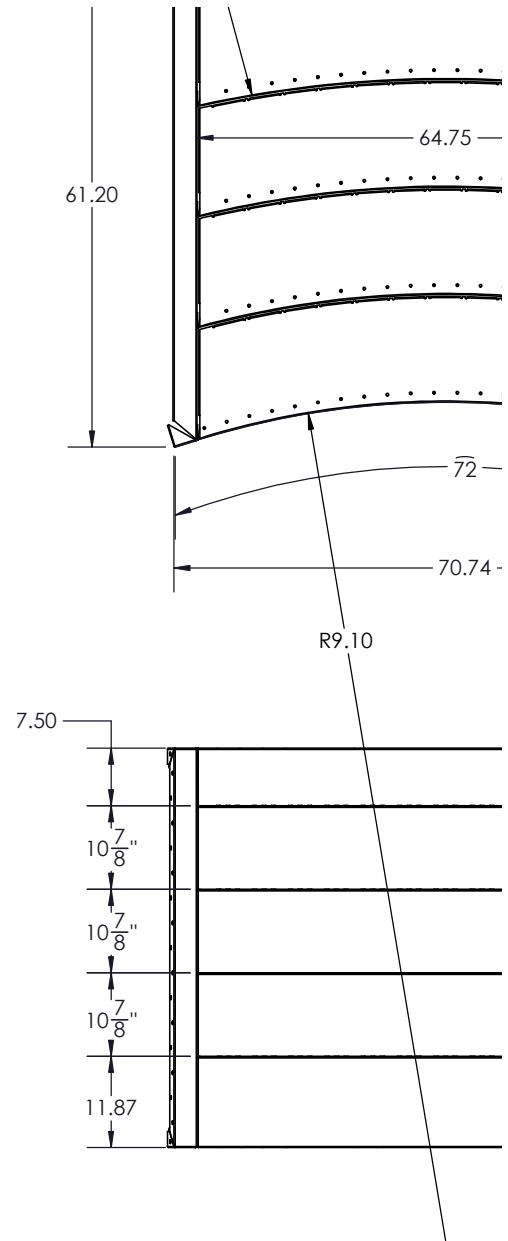
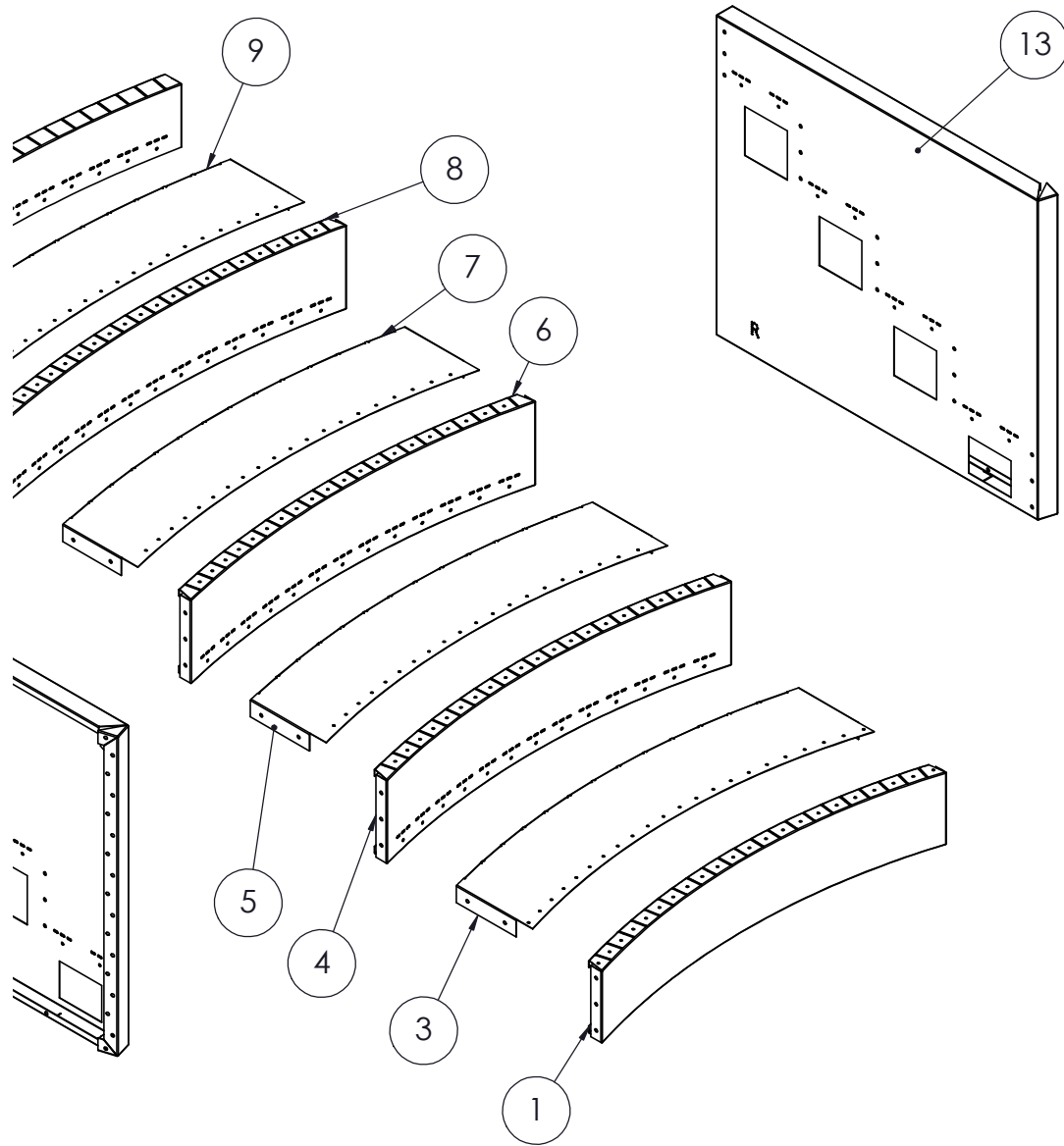
- NOTES:**
- THESE ARE FINISHED DIMENSIONS READY FOR THE LINER.
 - DIMENSIONS ARE FROM INSIDE POOL PANELS.
 - ROPE AND FLOAT ASSEMBLY SHOULD BE INSTALLED IN ACCORDANCE WITH CURRENT ANSI/ASPS/ICC REGULATIONS
 - HYDRA LINER TRACK FOR STEPS IS INSTALLED WITH THE BARB FACING THE RISER WALL ON THE STEP.

- EXCAVATION NOTES:**
- ROUGH EXCAVATION SHOULD BE 2" DEEPER IN EACH INSTANCE.
 - SOIL TO HAVE MINIMUM BEARING CAPACITY OF 1500 PSF.
 - LOCATE TOP OF POOL AT LEAST 6" ABOVE THE SURROUNDING LAND ELEVATION.
 - SEE "OVER DIG DETAIL", IN INSTALLATION MANUAL, FOR EXCAVATION AROUND POOL.
 - FILL VOIDS UNDER BASE OF PANELS AND TAMP WELL.
 - BACK FILL WITH NON-EXPANSIVE MATERIAL.
 - FOLLOW ALL CURRENT ANSI / APSP / ICC GUIDELINES FOR RESIDENTIAL POOLS

IMPORTANT NOTES:
 THIS DOCUMENT IS FOR ILLUSTRATIVE PURPOSES ONLY. THE DEALER OR CONTRACTOR WHO SELLS OR INSTALLS YOUR POOL IS AN INDEPENDENT CONTRACTOR AND IS NOT AN AGENT OF THE MANUFACTURER. THE CONSTRUCTION METHODS ILLUSTRATED HERE ARE SUGGESTIONS AND APPLY ONLY TO NORMAL GROUND CONDITIONS. THERE MAY BE ADDITIONAL PRECAUTIONS AND/OR METHODS OF CONSTRUCTION. PROPER INSTALLATION IS THE RESPONSIBILITY OF THE DEALER/BUILDER/CONTRACTOR.



ENGINEERING DRAWING NUMBER: 00050251	WEIGHT: lbs	UNLESS OTHERWISE SPECIFIED DIMENSIONS ARE IN INCHES TOLERANCES DECIMALS: X \pm .1 XX \pm .01 XXX \pm .001 XXXX \pm .0005 ANGULAR: X \pm 0.5 THIRD ANGLE PROJECTION	DESIGNED BY: IESSEX	CREATION DATE: 10/10/2019	SAMSON STEEL		
	VOLUME: Inch ³		DETAILED BY: IESSEX	DETAILED DATE: 5/18/2023			
	COLOR:		LAST REVISED BY: chall	LAST REVISED DATE: 5/8/2023	TITLE: LAYOUT, 28" ROUND, HSSF28304, 1- AQUA GENIE, 850 SERIES		
	HEAT TREAT:		MATERIAL:				
FINISH:	SIZE: A		SHEET: 2 OF 3	SCALE: 1:100	PART NUMBER: 00050251	REV B	
TEXTURE:							



ITEM	FILE NAME	
1	00028303	RISER, 9FT R
2	00028294	ASSEMBLY, F LEFT SIDE
3	00028298	TREAD, 9FT F
4	00028302	RISER, 9FT R
5	00028297	TREAD, 9FT F
6	00028301	RISER, 9FT R
7	00028296	TREAD, 9FT F
8	00028300	RISER, 9FT R
9	00028295	TREAD, 9FT F
10	00028299	RISER, 9FT R
11	BOLT, PACK	BOLT, FLANG
12	FHSCS 0.375-16x1x1-HX-N	
13	00028293	ASSEMBLY, F RIGHT SIDE