

SILVER SEA
9" Top Rail - Resin
w/Resin Vertical

Oval Pools

Parts List

9" Top Rail Oval Pool - Parts List

ITEM #	DESCRIPTION	PART#	20'x12'	24'x12'	28'x16'	32'x16'	34'x18'	41'x21'	
			QTY.	QTY.	QTY.	QTY.	QTY.	QTY.	
	Top Rail Pack	5-9803-712	1	1	—	—	—	—	
	Top Rail Pack	5-9881-712	—	—	1	—	—	—	
	Top Rail Pack	5-9810-712	—	—	—	2	1	—	
	Top Rail Pack	5-9812-712	—	—	—	—	1	1	
	Top Rail Pack	5-9814-712	—	—	—	—	—	1	
1.	Top Rail	587-1626	12	12	—	—	—	—	
1a.	Top Rail	587-1627	—	—	18	20	22	26	
	Skirt Pack	5-9110-702	1	1	—	—	—	—	
	Skirt Pack	5-9112-702	—	—	1	1	—	—	
	Skirt Pack	5-9114-702	—	—	—	—	1	—	
	Skirt Pack	5-9116-702	—	—	—	—	—	1	
2.	Vertical skirt	340-2610	10	10	12	12	14	16	
3.	Screw #10 x 5/8"	330-1057	20	20	24	24	28	32	
4.	Screw #10 x 1/2"	330-1027	20	20	24	24	28	32	
	Assembly Pack	5-9902-712	1	—	—	—	—	—	
	Assembly Pack	5-9942-712	—	1	—	—	—	—	
	Assembly Pack	5-9986-702	—	—	1	—	—	—	
	Assembly Pack	5-9926-702	—	—	—	1	—	—	
	Assembly Pack	5-9948-702	—	—	—	—	1	—	
	Assembly Pack	5-9911-702	—	—	—	—	—	1	
5.	Stabilizer Rail - Large	583-1011	10	12	12	14	16	8	
	Stabilizer Rail - Large	583-1005	—	—	—	—	—	12	
6.	Stabilizer Rail - Small	583-1012	8	8	10	10	10	—	
	Stabilizer Rail - Small	583-1004	—	—	—	—	—	10	
7.	Vertical end Cap	580-2299	20	20	24	24	28	32	
7a.	Side Vertical cap	580-2056	4	6	6	8	8	10	
8.	Outer conn. bracket	580-2128	14	16	18	20	22	26	
9.	Top Connector	340-2611	14	16	18	20	22	26	
10.	Plastic Coping	545-1001	30	33	40	44	46	55	
11.	Bottom Rail (stamped 12)	589-1046	12	12	—	—	—	—	
	Bottom Rail (stamped 16)	589-1047	—	—	10	10	—	—	
	Bottom Rail (stamped 18)	589-1048	—	—	—	—	16	—	
	Bottom Rail (stamped 21)	589-1049	—	—	—	—	—	14	
11a.	Bottom Rail Transition (stamped TR)	589-1053	—	—	4	4	—	4	
11b.	Bottom Rail Side (stamped S)	589-1052	2	4	4	6	6	8	
12.	Top Rail (side)	587-1627	2	4	—	—	—	—	
12a.	Installation Instructions	573-3346	1	1	1	1	1	1	
13.	Warranty Card	—	1	1	1	1	1	1	
14.	Pool Parts List	573-3457	1	1	1	1	1	1	
15.	Book - "Safety First"	573-3169	1	1	1	1	1	1	
16.	Sheet Metal Screw #10 x 1/2"	330-1127	118	132	150	164	182	214	
17.	#6-32 slot MS screw	510-1038	10	10	12	12	14	16	
*18.	#6-32 hex nut	321-1088	10	10	12	12	14	16	
18a.	#10-24 x 1/2" Slot PH MS	510-1008	4	6	6	8	8	10	
18b.	#10-24 Square nut	321-1025	4	6	6	8	8	10	
	Vertical Pack	5-9710-712	1	1	—	—	—	—	
	Vertical Pack	5-9712-712	—	—	1	1	—	—	
	Vertical Pack	5-9714-712	—	—	—	—	1	—	
	Vertical Pack	5-9716-712	—	—	—	—	—	1	
19.	Vertical	341-1485	10	10	12	12	14	16	
**20.	Vinyl Liner Carton	—	1	—	—	—	—	—	
	Liner 20'x12'	—	—	1	—	—	—	—	
	Liner 24'x12'	—	—	—	1	—	—	—	
	Liner 28'x16'	—	—	—	—	1	—	—	
	Liner 32'x16'	—	—	—	—	—	1	—	
	Liner 34'x18'	—	—	—	—	—	—	1	
	Liner 41'x21'	—	—	—	—	—	—	—	
21.	Warranty Card	—	1	1	1	1	1	1	
***22.	Repair Patch	564-1000	1	1	1	1	1	1	
23.	Warning Decal	560-1041	3	3	3	3	3	3	
24.	Shallow Decal, 3-3/4 Ft.	560-1056	3	3	3	3	3	3	
25.	Shallow Decal Instruction	369-1216	1	1	1	1	1	1	
26.	Book - "Safety First"	573-3169	1	1	1	1	1	1	
27.	Chlorine & Winterizing Instructions	573-2421	1	1	1	1	1	1	

* Replacement screws and nuts are available in most hardware stores.

** Write the number of your liner in the spaces provided here and above. # _____

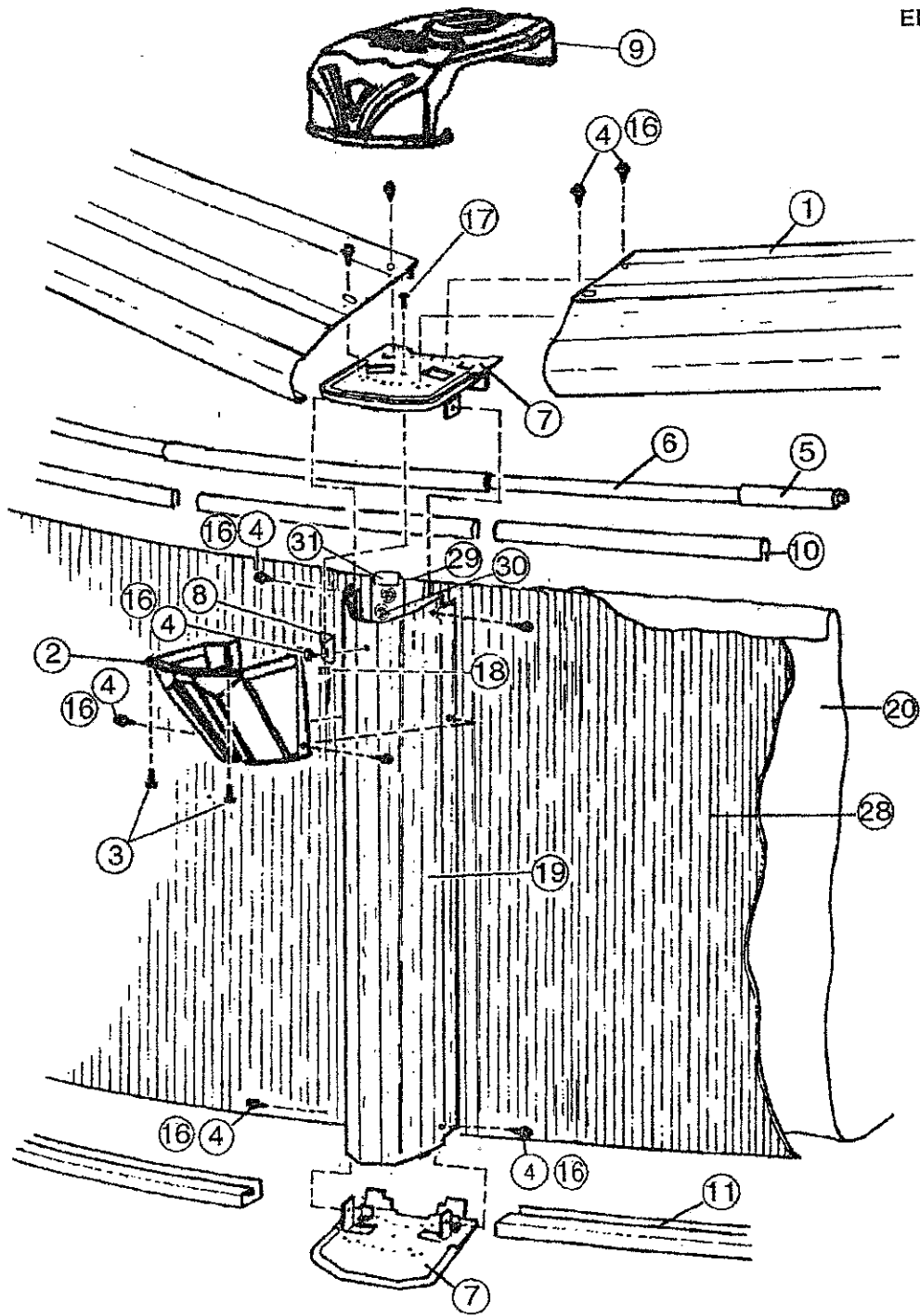
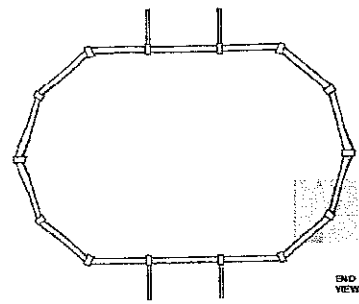
*** For additional patch kits order Part No. 0-5604-000.

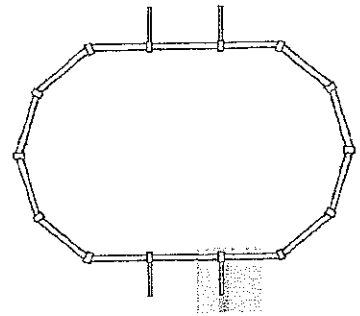
9" Top Rail Oval Pool - Parts List

			20'x12'	24'x12'	28'x16'	32'x16'	34'x18'	41'x21'	
ITEM #	DESCRIPTION	PART#	QTY.	QTY.	QTY.	QTY.	QTY.	QTY.	
	Sidewall Carton		1	—	—	—	—	—	
*28.	20'x12' Sidewall	_____	—	1	—	—	—	—	
	24'x12' Sidewall	_____	—	—	1	—	—	—	
	28'x16' Sidewall	_____	—	—	—	2	—	—	
	32'x16' Sidewall	_____	—	—	—	—	2	—	
	34'x18' Sidewall	_____	—	—	—	—	—	2	
	41'x21' Sidewall	_____	—	—	—	—	—	—	2
29.	1/4"-20 x 1/2" screw (not shown)	330-1280	26	26	26	52	52	52	52
30.	1/4"-20 hex nut	321-1029	26	26	26	52	52	52	52
31.	Wall protective strip	535-1442	1	1	1	2	2	2	2
32.	Warning Sign	560-1055	1	1	1	2	2	2	2
33.	Book - "Safety First"	573-3169	1	1	1	2	2	2	2
33a.	Cover plate (Lg.) not shown	580-2133	—	—	—	2	2	2	2
33b.	Cover plate (sm.) not shown	580-2134	—	—	—	2	2	2	2
	SUPPORT PACK 4 — CARTON	5-8888-204	1	—	—	2	—	1	1
	SUPPORT PACK 6 — CARTON	5-8888-206	—	1	1	—	—	—	1
34.	Skid Support	580-1779	4	6	6	8	8	10	10
35.	Ground Support - Top	580-2071	4	6	6	8	8	10	10
36.	Ground Support - Bottom	580-2072	4	6	6	8	8	10	10
37.	Pressure Pad - Outside	580-1869	4	6	6	8	8	10	10
38.	Pressure Pad - Side Vertical	580-1870	4	6	6	8	8	10	10
39.	Bottom Rail Locator	580-1792	4	6	6	8	8	10	10
40.	Sheet Metal Screw, #12 x 3/4"	510-1035	24	36	36	48	48	60	60
41.	Hex head bolt, 3/8-16 x 3-1/2"	330-1220	16	24	24	32	32	40	40
42.	Hex nut, 3/8-16	321-1069	16	24	24	32	32	40	40
43.	Hex head screw, 1/4-20 x 1/2"	510-1018	16	24	24	32	32	40	40
44.	Hex nut, 1/4-20	511-1000	16	24	24	32	32	40	40
45.	Sheet metal screw, #10x3/8"	510-1000	24	36	36	48	48	60	60
	SUPPORT PACK 4 — CARTON	5-8852-400	1	—	—	2	—	1	1
46.	SUPPORT PACK 6 — CARTON	5-8852-600	—	1	1	—	—	—	1
	Side vertical	580-2074	4	6	6	8	8	10	10

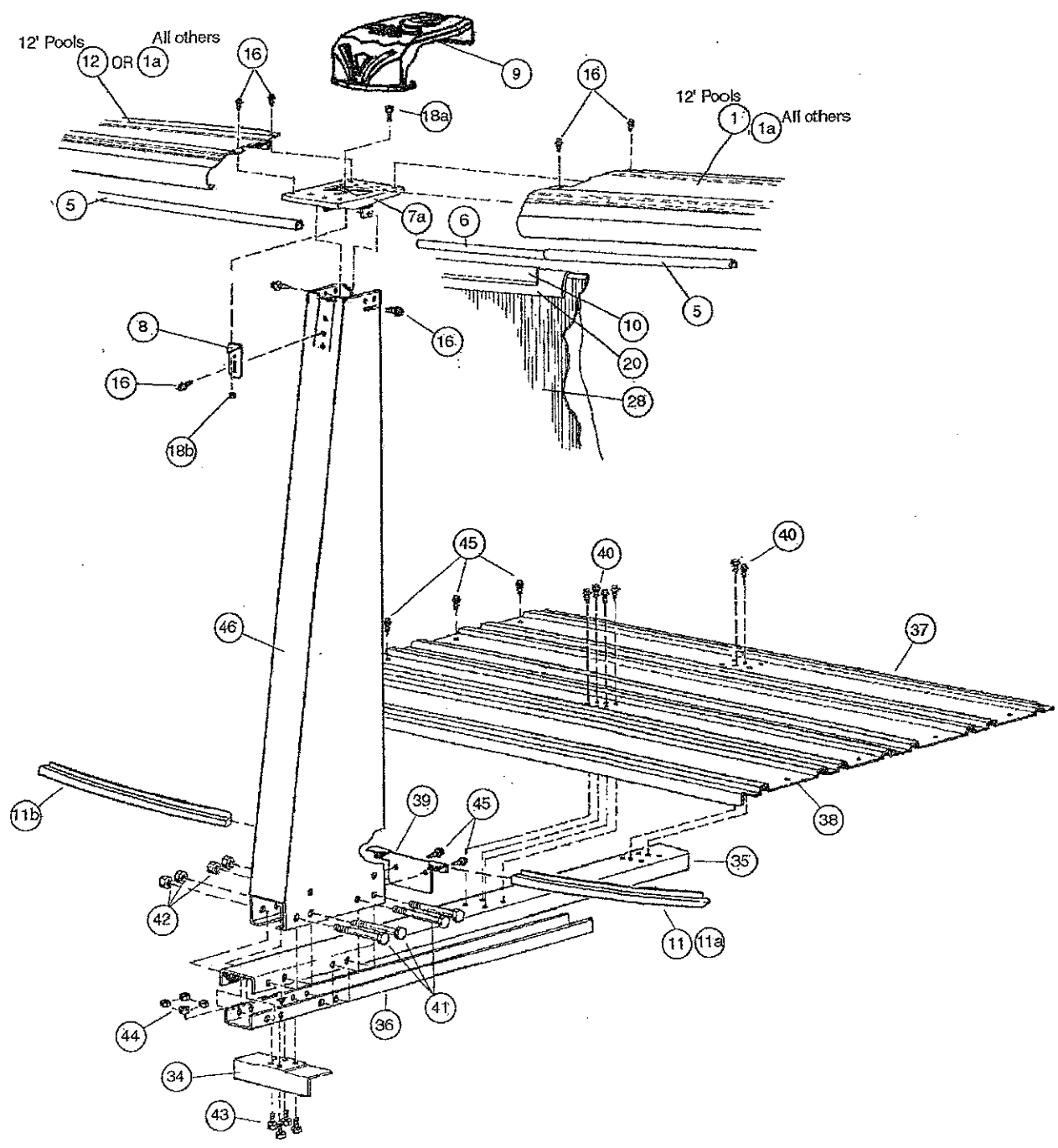
*Write sidewall number above and here _____

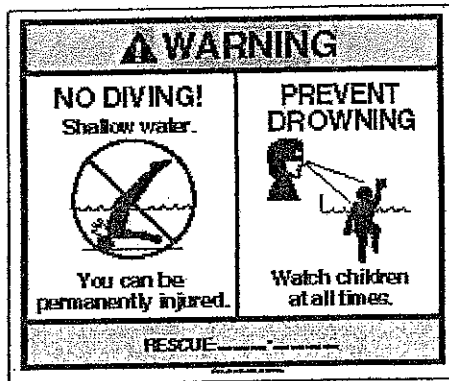
Oval End View - Exploded View





SIDE VIEW
SIDE VIEW





CHANGE OF DESIGN: The manufacturer expressly reserves the right to change or modify the design and construction of any product in due course of our manufacturing procedures, without incurring any obligation or liability to furnish or install such changes or modifications on products previously or subsequently sold.

Important! Above-ground pools are designed for swimming and wading only. Do not Dive or Jump! Misuse of your pool may result in crippling injury and/or other dangers to life and health. Do not use slides, diving boards, or any other platform or object which can be used for improper pool entry. Use only an above-ground swimming pool ladder to enter or exit your pool. It is the pool owner's responsibility to secure the pool against unauthorized, unsupervised or unintentional entry. It is also the pool owner's responsibility to warn all pool users of the hazards of diving into shallow water: paralyzing injury may result. Always obey all safety rules. Remember, pool safety is everybody's responsibility.

Hoffinger Industries • 315 N. Sebastian St., • West Helena, AR 72390

DB 0910-520

Made in the United States of America

Copyright 2010