

SILVER SEA
9" Top Rail - Resin
w/Resin Vertical

Round Pools

Parts List

9" Top Rail Round Pool - Parts List

ITEM #	DESCRIPTION	PART#	12'	15'	18'	21'	24'	27'	30'
			QTY.	QTY.	QTY.	QTY.	QTY.	QTY.	QTY.
1.	Top Rail Pack	5-9801-712	1	—	—	—	—	—	2
	Top Rail Pack	5-9815-712	—	1	—	—	—	—	—
	Top Rail Pack	5-9818-712	—	—	1	—	—	—	—
	Top Rail Pack	5-9821-712	—	—	—	1	—	—	—
	Top Rail Pack	5-9824-712	—	—	—	—	1	—	—
	Top Rail Pack	5-9827-712	—	—	—	—	—	1	—
	Top Rail	587-1626	10	—	—	—	—	—	—
	Top Rail	587-1628	—	10	12	14	16	18	20
	Skirt Pack 12'	5-9110-702	1	—	—	—	—	—	—
	Skirt Pack 15'	5-9110-702	—	1	—	—	—	—	—
	Skirt Pack 18'	5-9112-702	—	—	1	—	—	—	—
	Skirt Pack 21'	5-9114-702	—	—	—	1	—	—	—
	Skirt Pack 24'	5-9116-702	—	—	—	—	1	—	—
	Skirt Pack 27'	5-9118-702	—	—	—	—	—	1	—
	Skirt Pack 30'	5-9120-702	—	—	—	—	—	—	1
2.	Vertical skirt	340-2610	10	10	12	14	16	18	20
3.	Screw #10 x 5/8"	330-1057	20	20	24	28	32	36	40
4.	Screw #10 x 1/2"	330-1127	20	20	24	28	32	36	40
5.	Assembly Pack - 12'	5-9912-702	1	—	—	—	—	—	—
	Assembly Pack - 15'	5-9915-702	—	1	—	—	—	—	—
	Assembly Pack - 18'	5-9918-702	—	—	1	—	—	—	—
	Assembly Pack - 21'	5-9921-702	—	—	—	1	—	—	—
	Assembly Pack - 24'	5-9924-702	—	—	—	—	1	—	—
	Assembly Pack - 27'	5-9927-702	—	—	—	—	—	1	—
6.	Assembly Pack - 30'	5-9930-702	—	—	—	—	—	—	1
	Stabilizer Rail - Large	583-1011	6	8	9	—	—	—	—
7.	Stabilizer Rail - Large	583-1005	—	—	—	10	11	12	14
	Stabilizer Rail - Small	583-1012	6	8	9	—	—	—	—
8.	Stabilizer Rail - Small	583-1004	—	—	—	10	11	12	14
	Vertical end Cap	580-2299	20	20	24	28	32	36	40
9.	Outer conn. bracket	580-2128	10	10	12	14	16	18	20
10.	Top Connector	340-2611	10	10	12	14	16	18	20
11.	Plastic Coping	545-1001	22	26	30	35	43	45	47
11.	Bottom Rail (stamped 12)	589-1046	10	—	—	—	—	—	—
	Bottom Rail (stamped 15-C)	589-1254	—	10	—	—	—	—	—
	Bottom Rail (stamped 18-C)	589-1256	—	—	12	—	—	—	—
	Bottom Rail (stamped 21-C)	589-1257	—	—	—	14	—	—	—
	Bottom Rail (stamped 24-C)	589-1253	—	—	—	—	16	—	—
	Bottom Rail (stamped 27-C)	589-1258	—	—	—	—	—	18	—
	Bottom Rail (stamped 30-C)	589-1259	—	—	—	—	—	—	20
12.	Installation Instructions	573-3344	1	1	1	1	1	1	1
13.	Warranty Card	—	1	1	1	1	1	1	1
14.	Pool Parts List	573-3455	1	1	1	1	1	1	1
15.	Book - "Safety First"	573-3169	1	1	1	1	1	1	1
16.	Sheet Metal Screw #10 x 1/2"	330-1127	90	90	108	126	144	162	180
17.	#6-32 slot MS screw	510-1038	10	10	12	14	16	18	20
*18.	#6-32 hex nut	321-1088	10	10	12	14	16	18	20
19.	Vertical Pack	5-9710-712	1	1	—	—	—	—	2
	Vertical Pack	5-9712-712	—	—	1	—	—	—	—
	Vertical Pack	5-9714-712	—	—	—	1	—	—	—
	Vertical Pack	5-9716-712	—	—	—	—	1	—	—
	Vertical Pack	5-9718-712	—	—	—	—	—	1	—
**20.	Vertical	341-1485	10	10	12	14	16	18	20
	Vinyl Liner Carton	—	1	—	—	—	—	—	—
	Liner 12'	—	—	1	—	—	—	—	—
	Liner 15'	—	—	—	1	—	—	—	—
	Liner 18'	—	—	—	—	1	—	—	—
	Liner 21'	—	—	—	—	—	1	—	—
	Liner 24'	—	—	—	—	—	—	1	—
Liner 27'	—	—	—	—	—	—	—	1	
Liner 30'	—	—	—	—	—	—	—	—	
21.	Warranty Card	—	1	1	1	1	1	1	1
***22.	Repair Patch	564-1000	1	1	1	1	1	1	1
23.	Warning Decal	560-1041	3	3	3	3	3	3	3
24.	Shallow Decal, 3-3/4 Ft.	560-1056	3	3	3	3	3	3	3
25.	Shallow Decal Instruction	369-1216	1	1	1	1	1	1	1
26.	Book - "Safety First"	573-3169	1	1	1	1	1	1	1
27.	Chlorine & Winterizing Instructions	573-2421	1	1	1	1	1	1	1

* Replacement screws and nuts are available in most hardware stores.

** Write the number of your liner in the spaces provided here and above. # _____

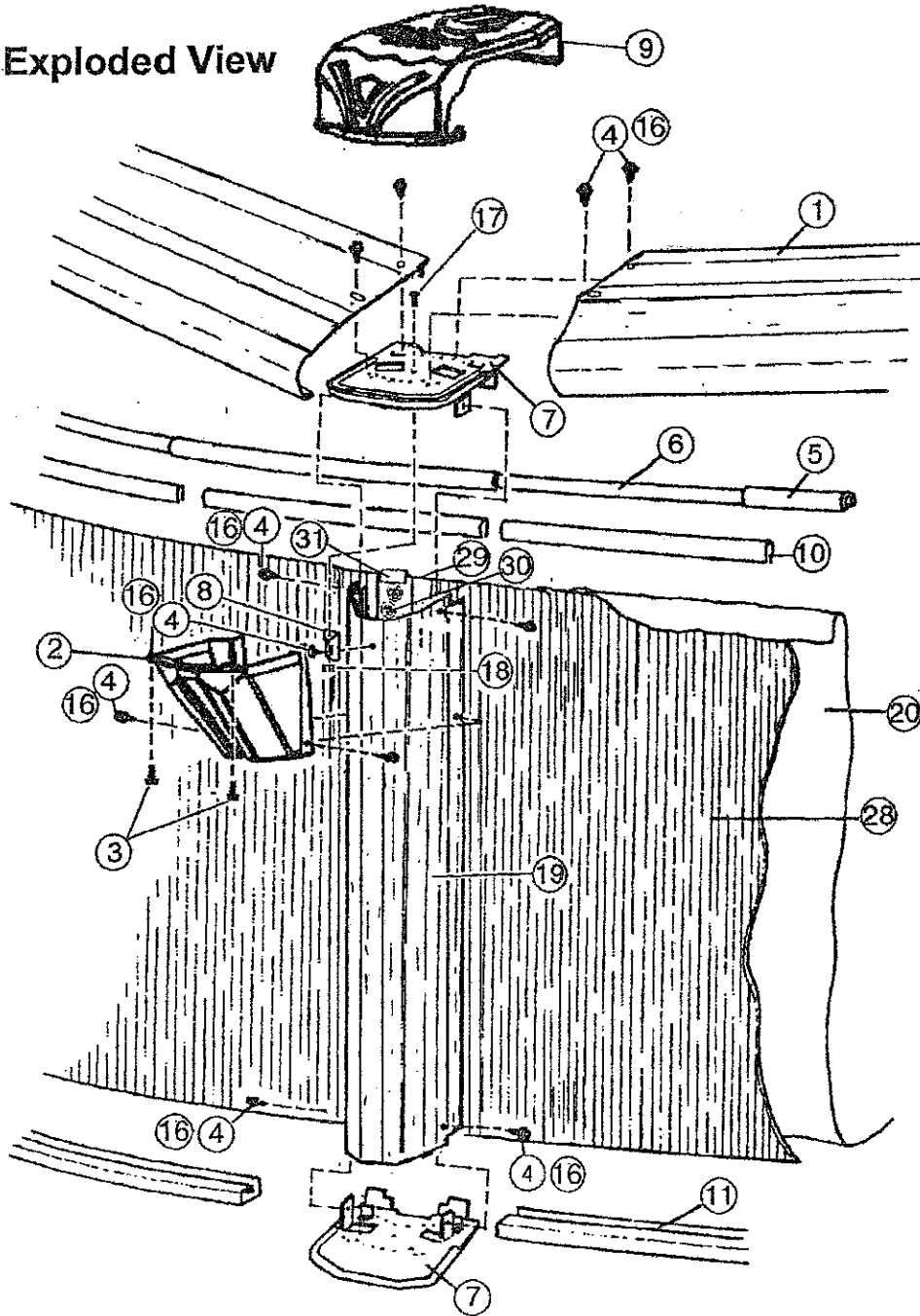
*** For additional patch kits order Part No. 0-5604-000.

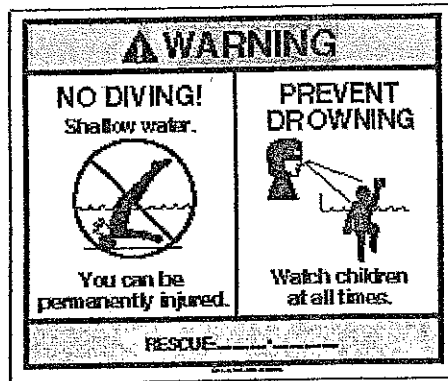
9" Top Rail Round Pool - Parts List

ITEM #	DESCRIPTION	PART#	12'	15'	18'	21'	24'	27'	30'
			QTY.	QTY.	QTY.	QTY.	QTY.	QTY.	QTY.
*28.	Sidewall Carton		1	—	—	—	—	—	—
	12' Sidewall		—	1	—	—	—	—	—
	15' Sidewall		—	—	1	—	—	—	—
	18' Sidewall		—	—	—	1	—	—	—
	21' Sidewall		—	—	—	—	1	—	—
	24' Sidewall		—	—	—	—	—	1	—
	27' Sidewall		—	—	—	—	—	—	1
	30' Sidewall		—	—	—	—	—	—	2
29.	1/4"-20 x 1/2" screw (notshown)	330-1280	26	26	26	26	26	26	52
30.	1/4"-20 hex nut	321-1029	26	26	26	26	26	26	52
31.	Wall protective strip	535-1442	1	1	1	1	1	1	2
32.	Warning Sign	560-1055	1	1	1	1	1	1	2
33.	Book - "Safety First"	573-3169	1	1	1	1	1	1	2

* Write Sidewall number above and here _____

Round Pool - Exploded View





CHANGE OF DESIGN: The manufacturer expressly reserves the right to change or modify the design and construction of any product in due course of our manufacturing procedures, without incurring any obligation or liability to furnish or install such changes or modifications on products previously or subsequently sold.

Important! Above-ground pools are designed for swimming and wading only. Do not Dive or Jump! Misuse of your pool may result in crippling injury and/or other dangers to life and health. Do not use slides, diving boards, or any other platform or object which can be used for improper pool entry. Use only an above-ground swimming pool ladder to enter or exit your pool. It is the pool owner's responsibility to secure the pool against unauthorized, unsupervised or unintentional entry. It is also the pool owner's responsibility to warn all pool users of the hazards of diving into shallow water: paralyzing injury may result. Always obey all safety rules. Remember, pool safety is everybody's responsibility.

Hoffinger Industries • 315 N. Sebastian St., • West Helena, AR 72390

DB 0810-519

Made in the United States of America

Copyright 2010